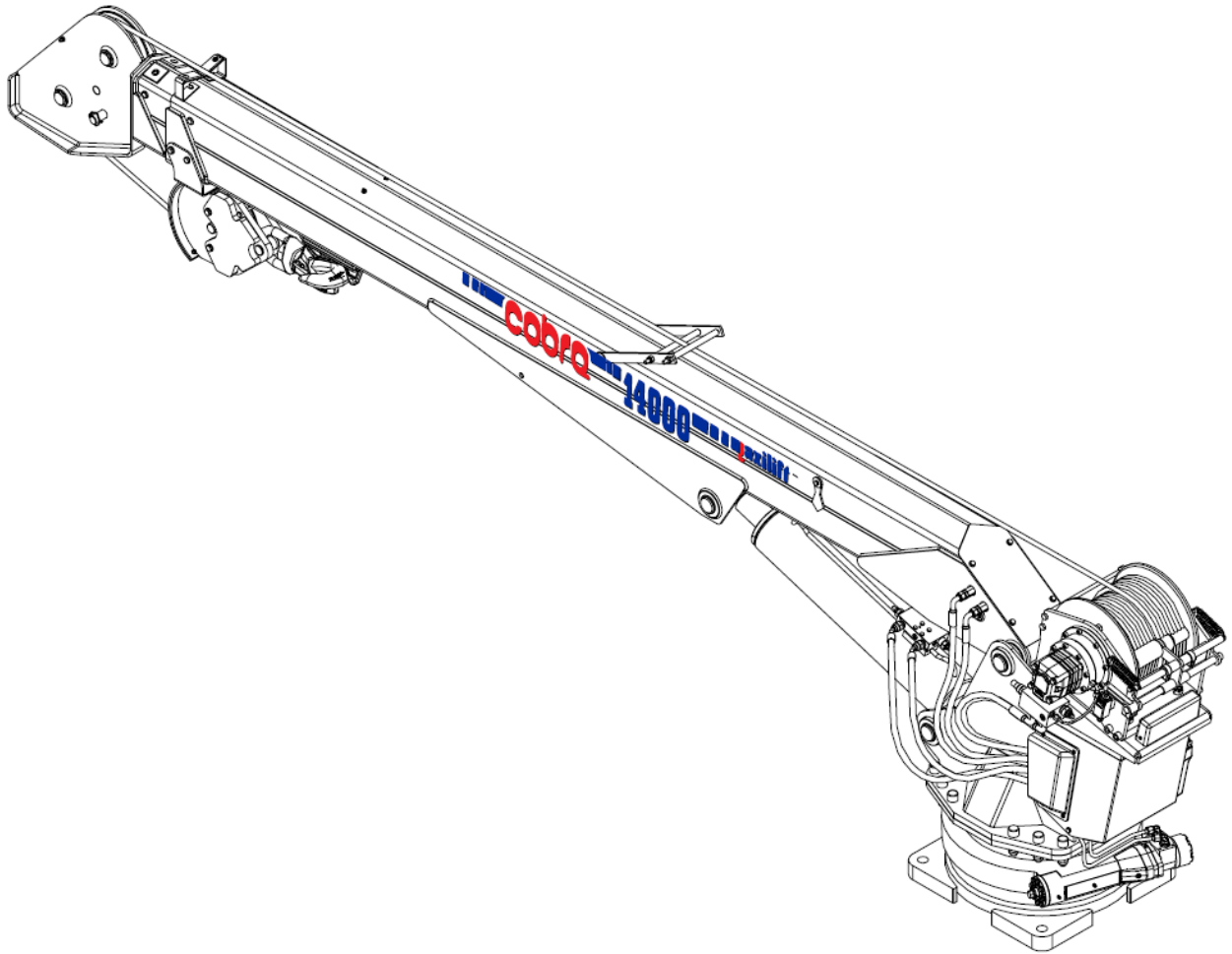


maxilift 14000 cobra

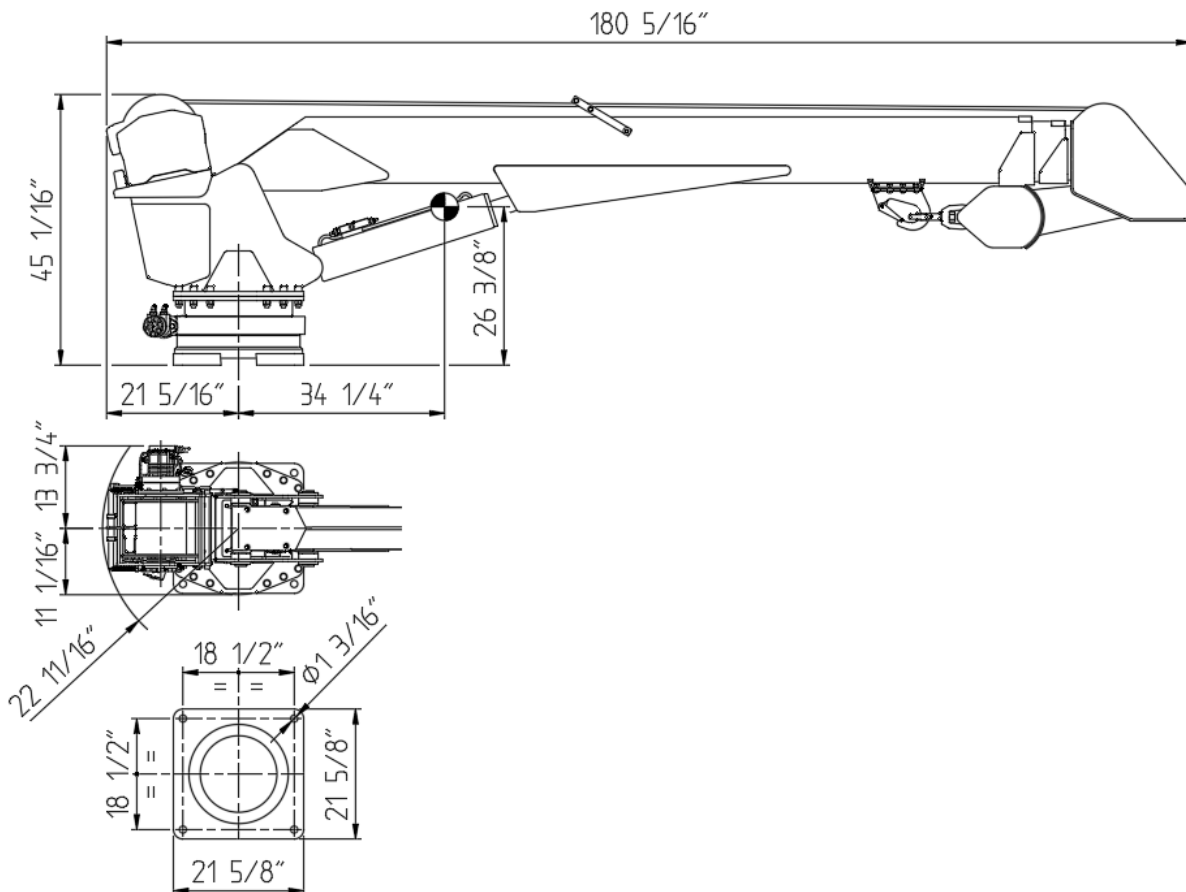
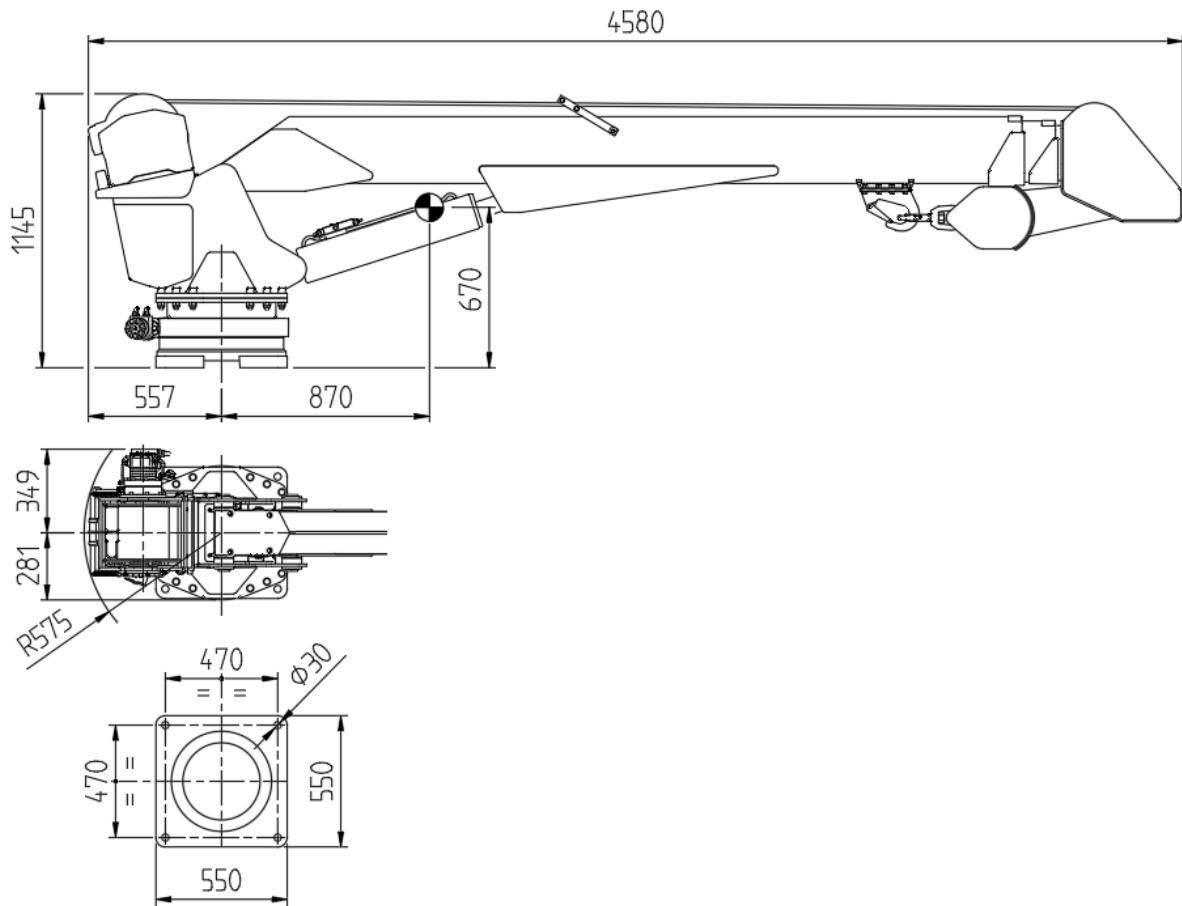


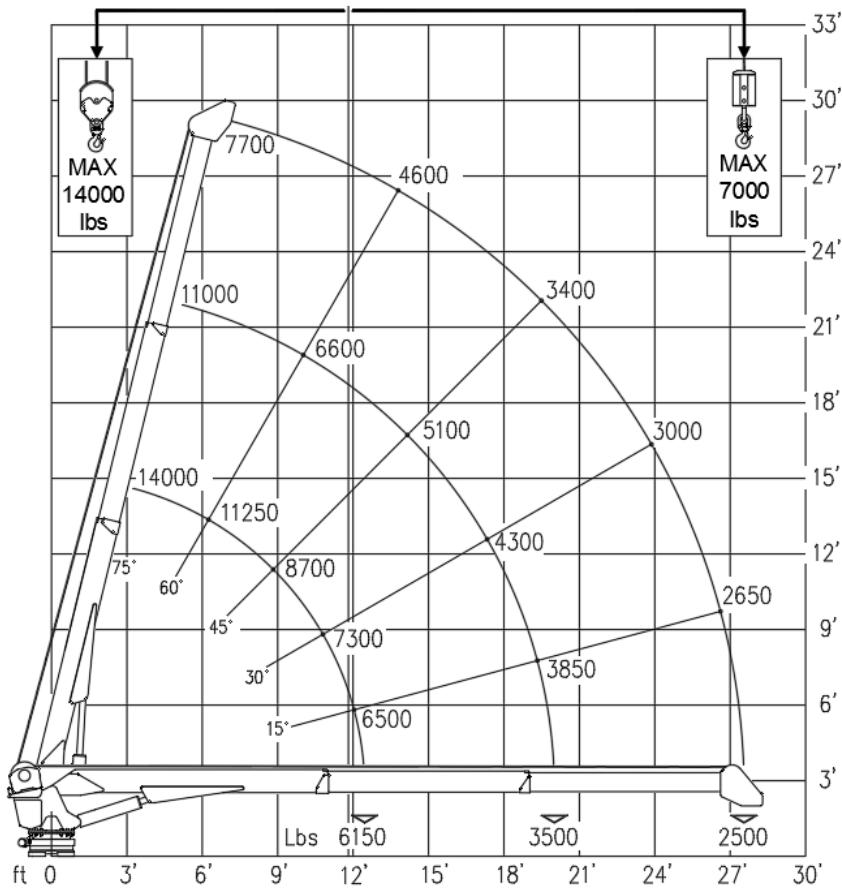
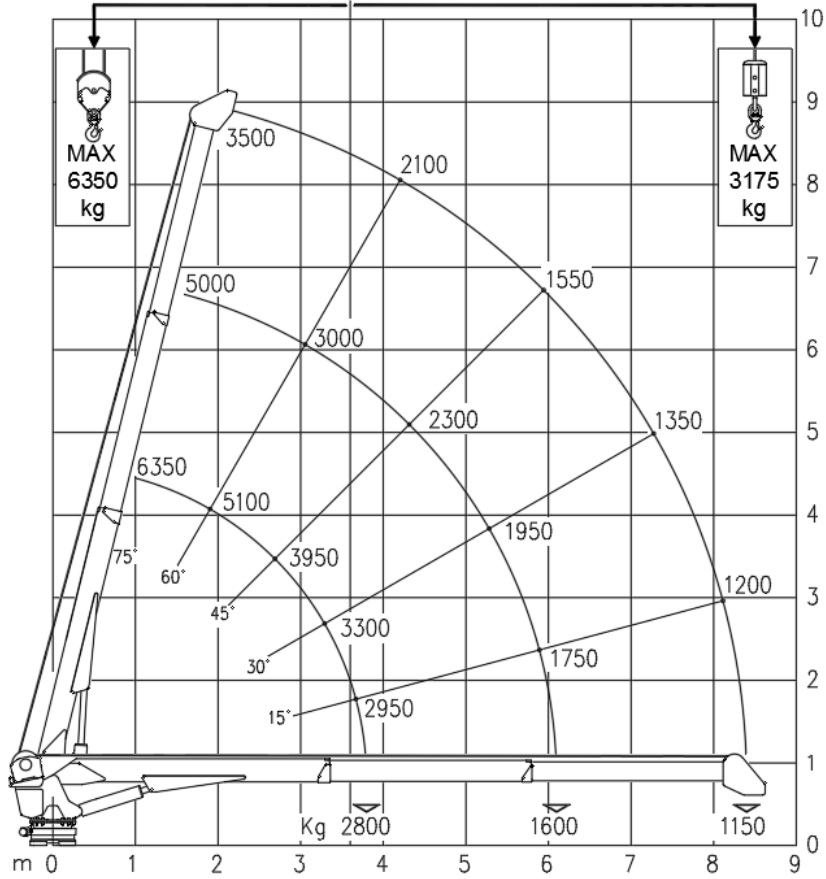
TECHNICAL SHEET

MP.0.212
Rev. 0



Next Hydraulics[®]
RAISE YOUR EXPECTATIONS





TECHNICAL DATA		Cobra 14000	
CRANE RATING	kNm ft.lbs	106.9 78840	
EXTENSIONS TYPE		2 HYDRAULIC	
HYDRAULIC EXTENSION	m ft	4.6 15' 1"	
HORIZONTAL REACH (from center line of rotation)	m ft	8.53 28'	
LIFTING HEIGHT FROM BASE OF CRANE	m ft	8.5 28'	
SLEWING ANGLE	°	CONTINUOUS	
SLEWING TORQUE	kNm ft.lbs	10.8 8000	
BOOM ELEVATION ANGLE	°	-6°/ +75°	
MAX. WORKING PRESSURE	bar psi	220 3190	
SUGGESTED OIL FLOW	l/min gpm	35 9.25	
CRANE WEIGHT	kg lbs	1120 2460	

WINCH SPECIFICATIONS		
WINCH SINGLE LINE CAPACITY (1 ST layer)	kg lbs	3200 7000
WINCH SINGLE LINE CAPACITY (3 RD layer)	kg lbs	2700 6000
WINCH PULL LINE SPEED (2 ND -3 RD layer)	m/min ft/min	15 - 18 46 - 55
WIRE ROPE DIAMETER	mm in	13 1/2"
WIRE ROPE LENGTH	m ft	35 115'