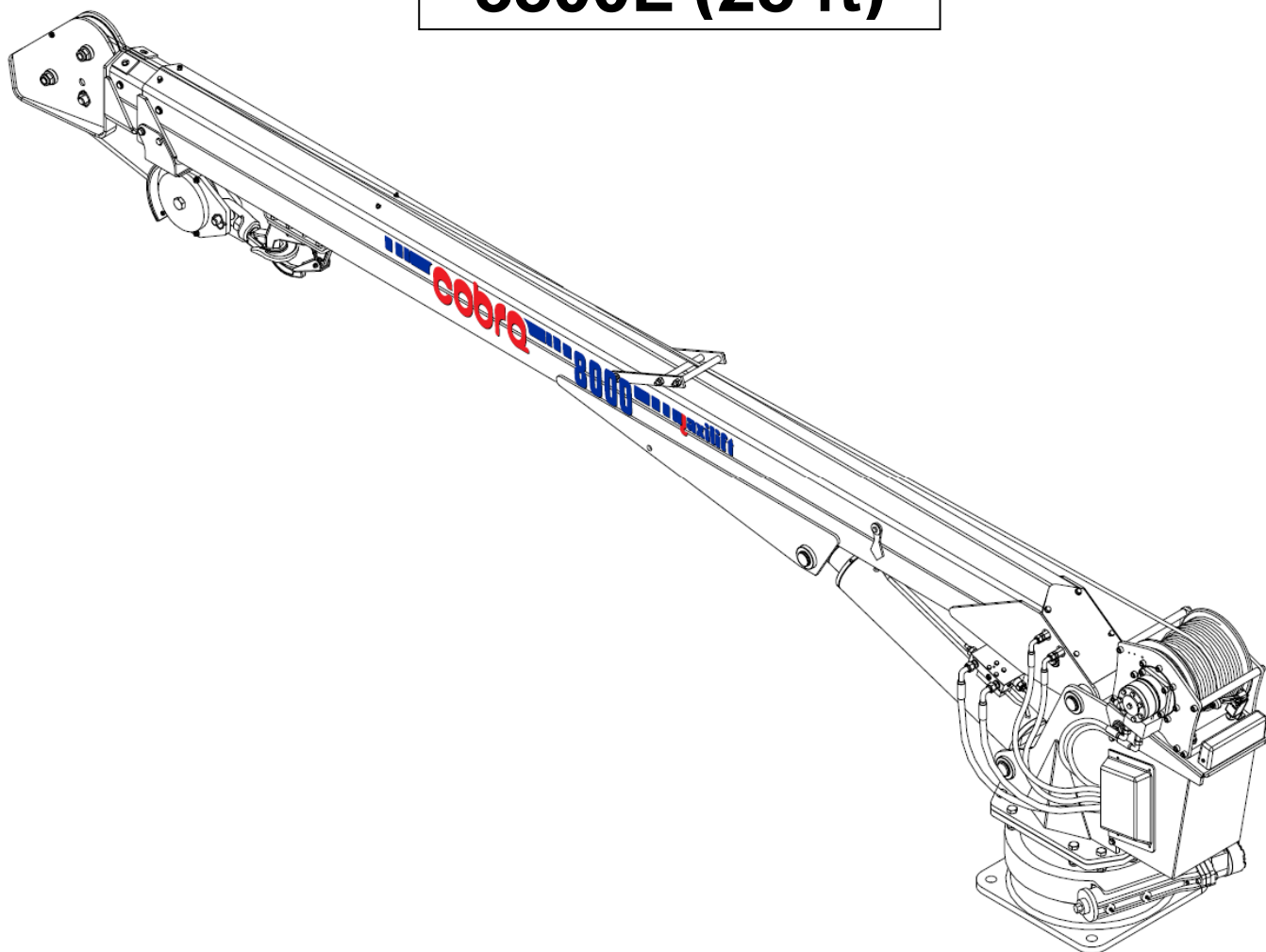


maxilift 8000 cobra

8800L (28 ft)

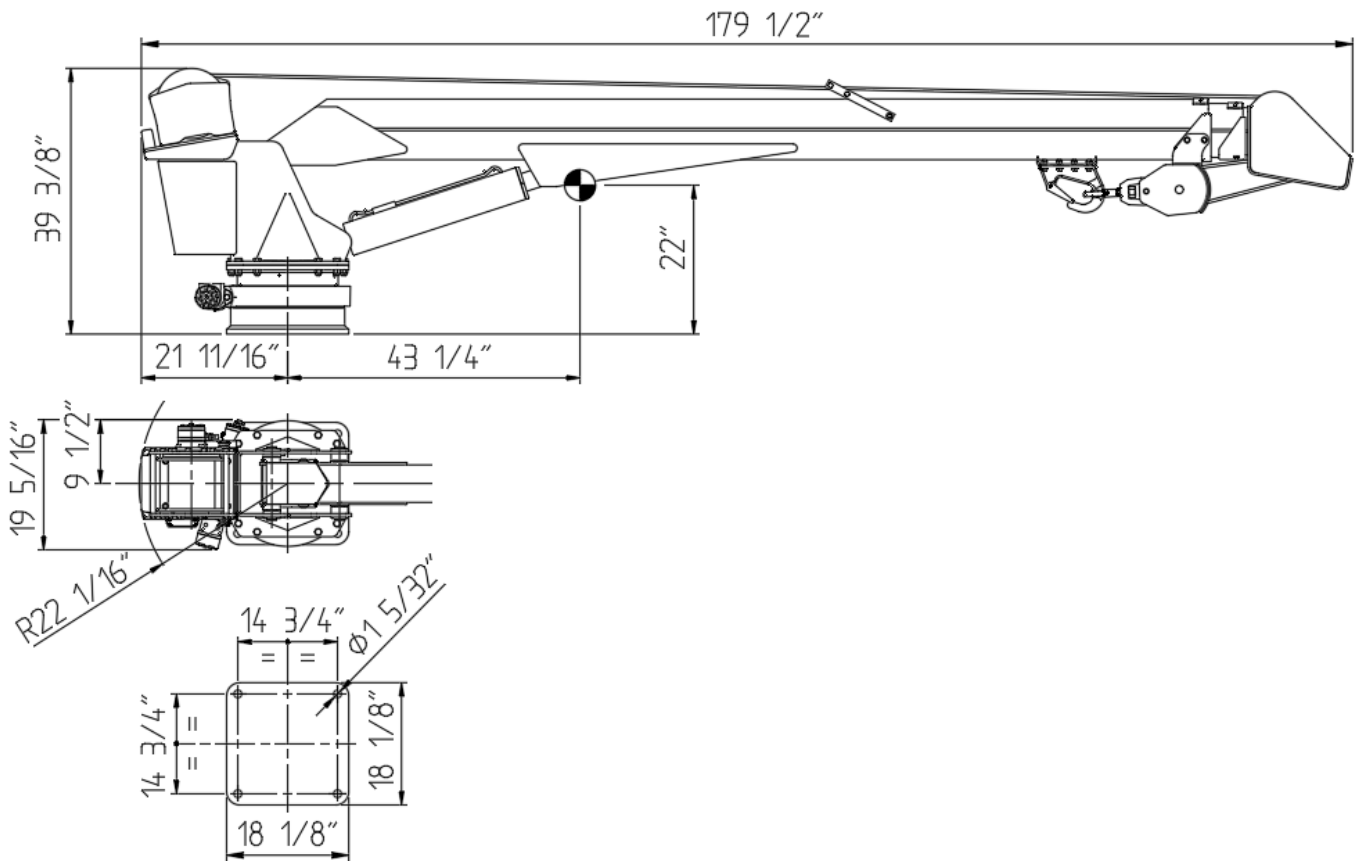
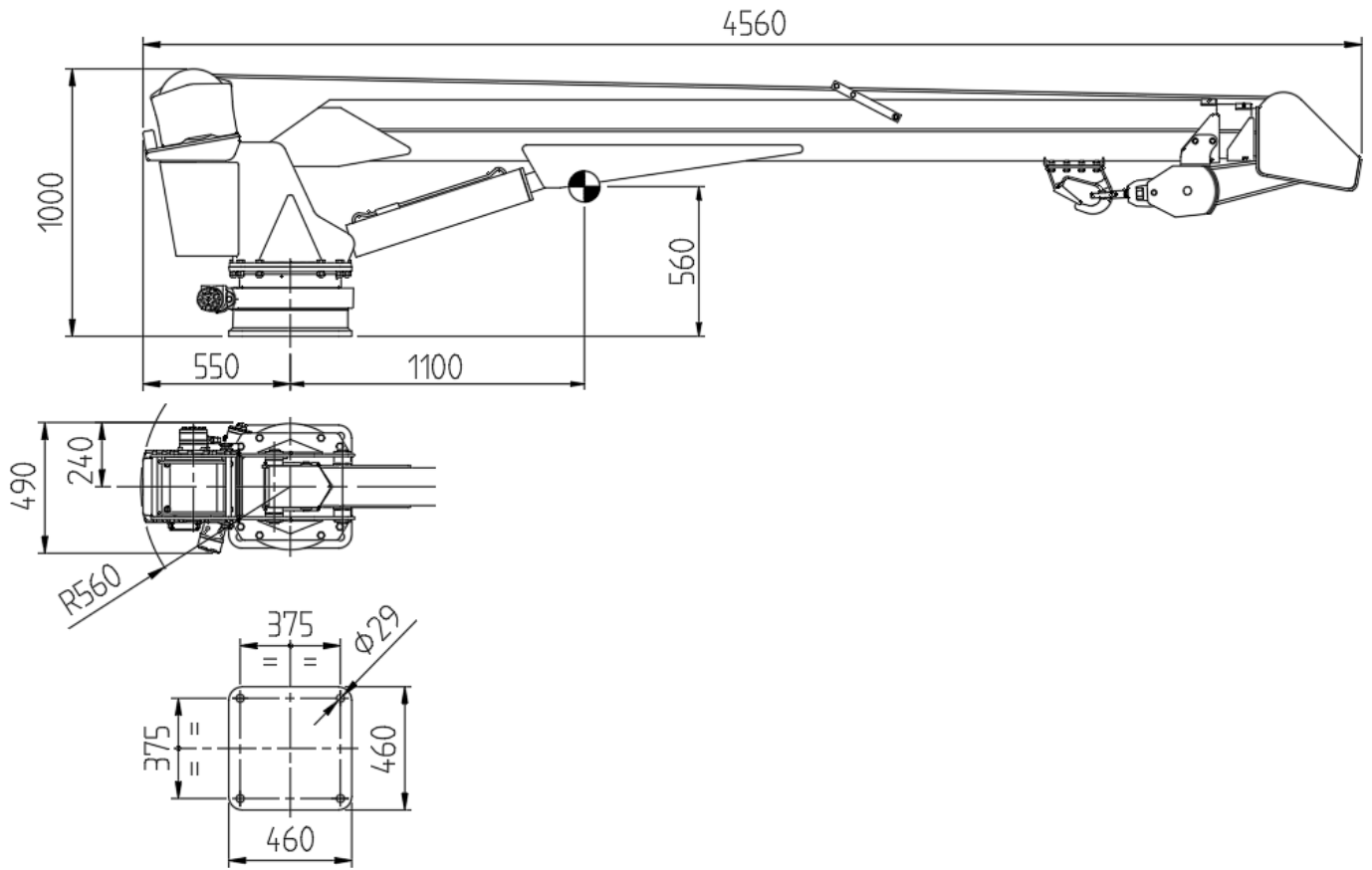


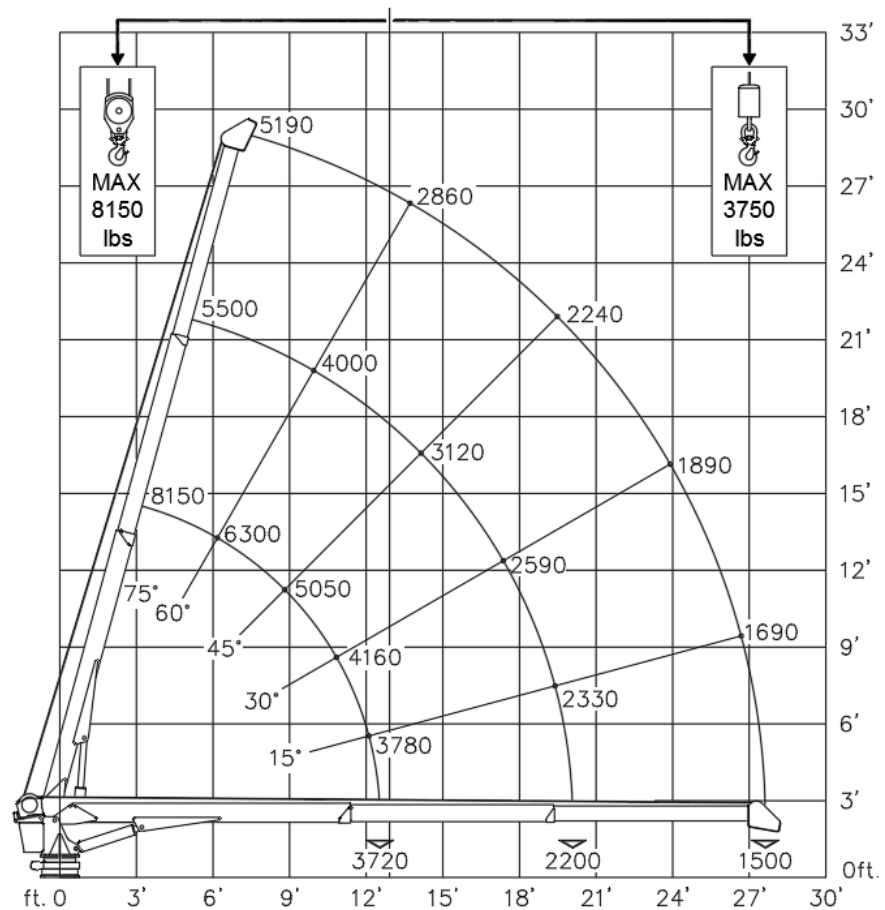
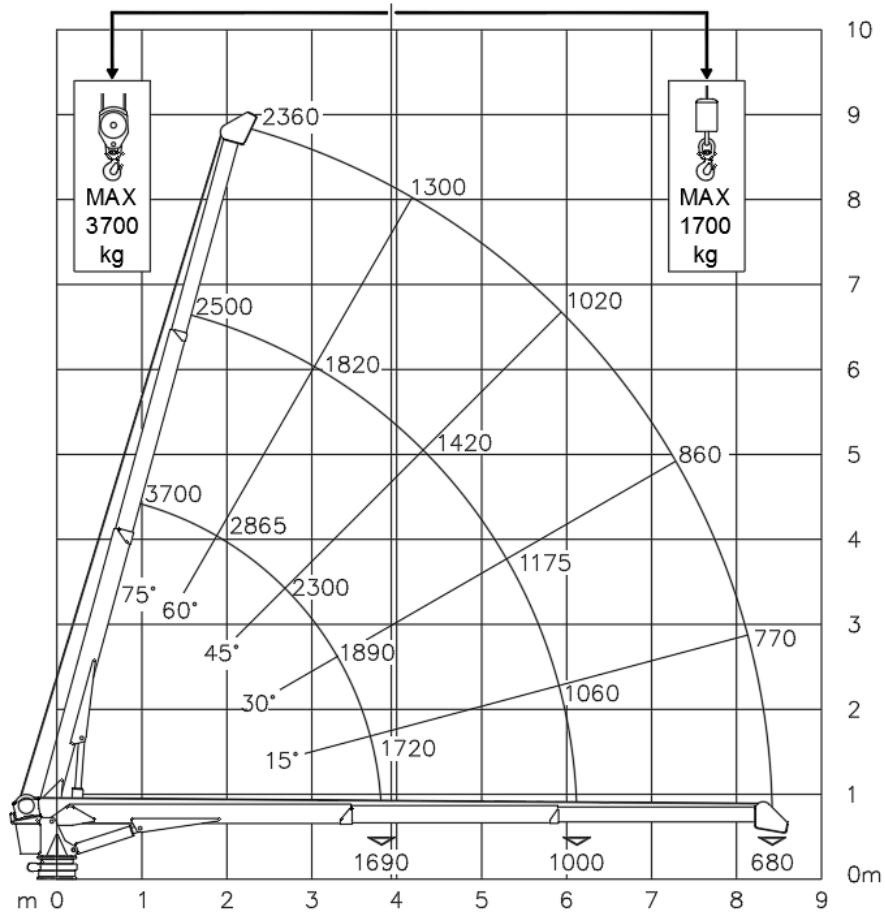
TECHNICAL SHEET

MP.0.208
Rev. 0



Next Hydraulics[®]
RAISE YOUR EXPECTATIONS





TECHNICAL DATA		Cobra 8000L (28 ft)	
CRANE RATING	kNm ft.lbs	63.8 47010	
EXTENSIONS TYPE		2 HYDRAULIC	
HYDRAULIC EXTENSION	m ft	4.6 15'	
HORIZONTAL REACH (from center line of rotation)	m ft	8.45 27' 8"	
LIFTING HEIGHT FROM BASE OF CRANE	m ft	8.5 28'	
SLEWING ANGLE	°	CONTINUOUS	
SLEWING TORQUE	kNm ft.lbs	6.4 4720	
BOOM ELEVATION ANGLE	°	-6°/ +75°	
MAX. WORKING PRESSURE	bar psi	205 2970	
SUGGESTED OIL FLOW	l/min gpm	15 - 17 4 - 4.5	
CRANE WEIGHT	kg lbs	800 1760	

WINCH SPECIFICATIONS		
WINCH SINGLE LINE CAPACITY (1 ST layer)	kg lbs	2060 4540
WINCH SINGLE LINE CAPACITY (3 RD layer)	kg lbs	1700 3750
WINCH PULL LINE SPEED (2 ND -3 RD layer)	m/min ft/min	12 39
WIRE ROPE DIAMETER	mm in	10 3/8"
WIRE ROPE LENGTH	m ft	30 98' 5"