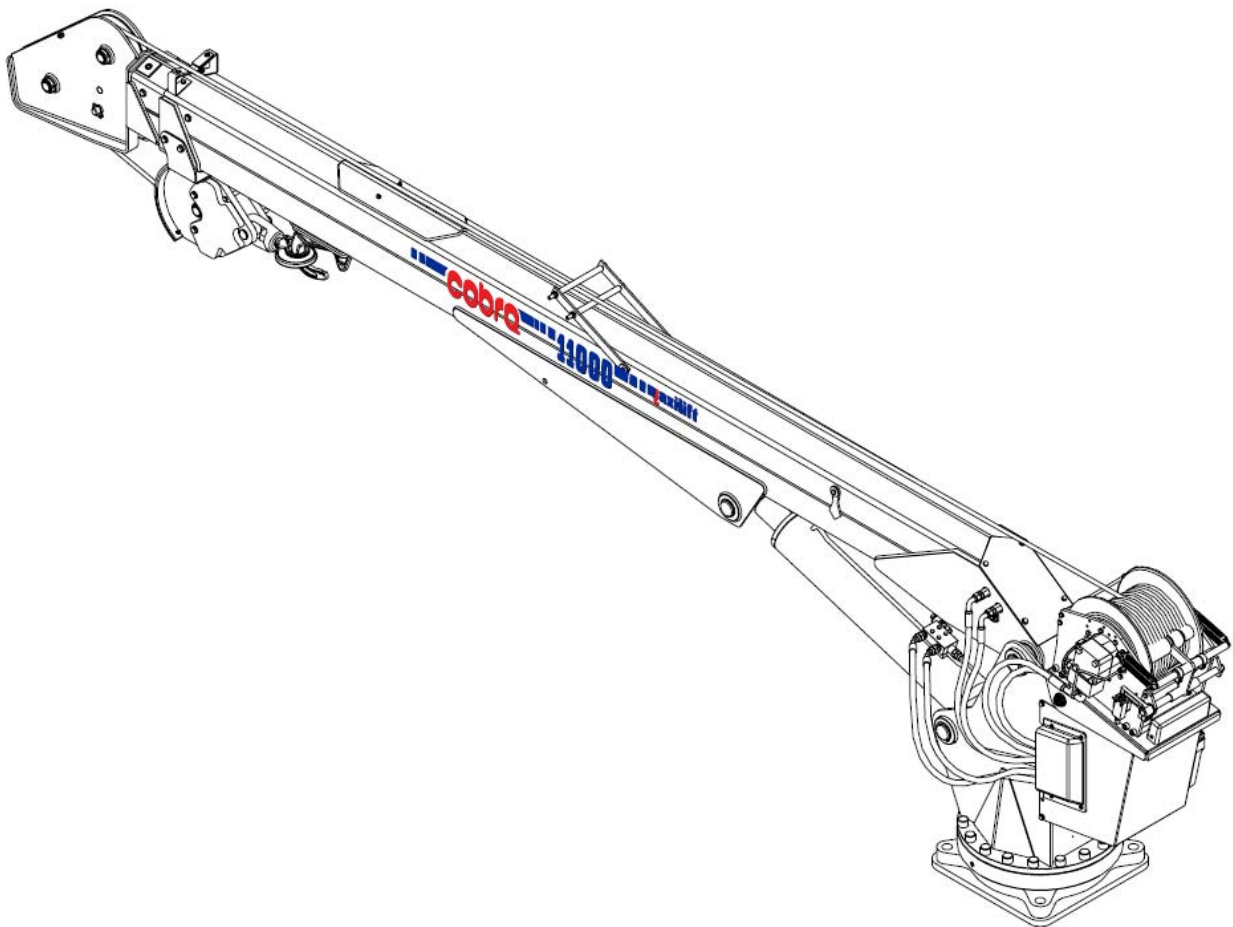


maxilift 11000 cobra

11000.L (28 ft)

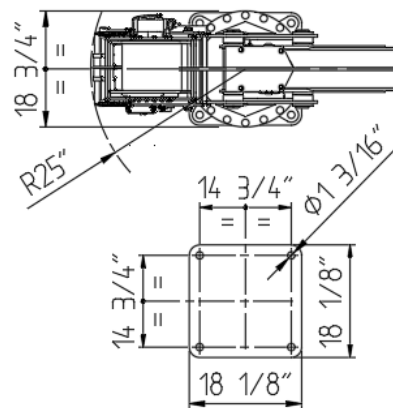
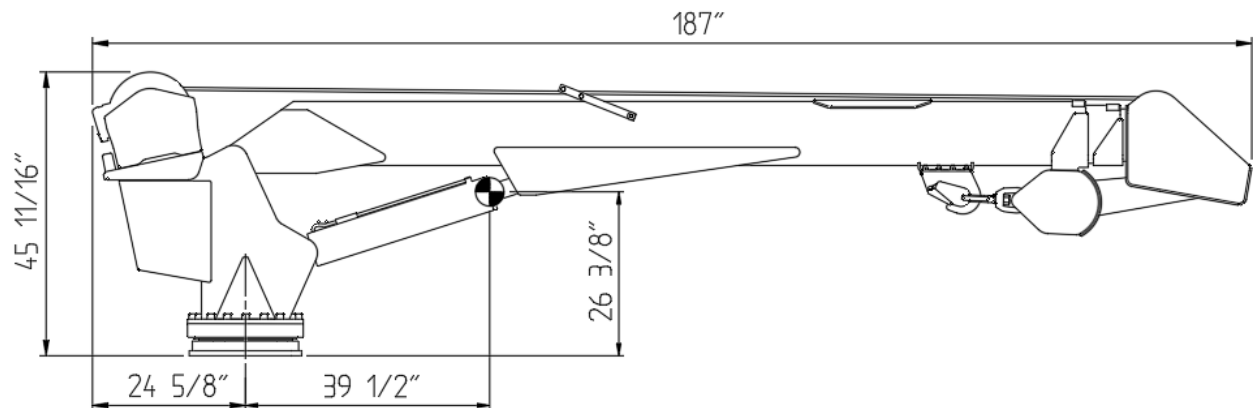
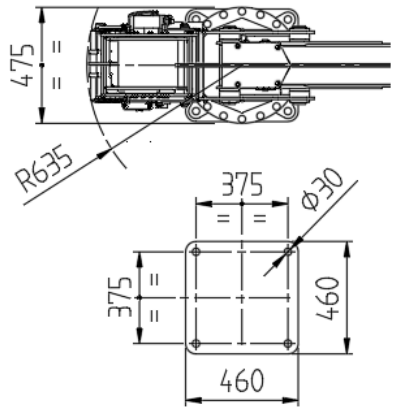
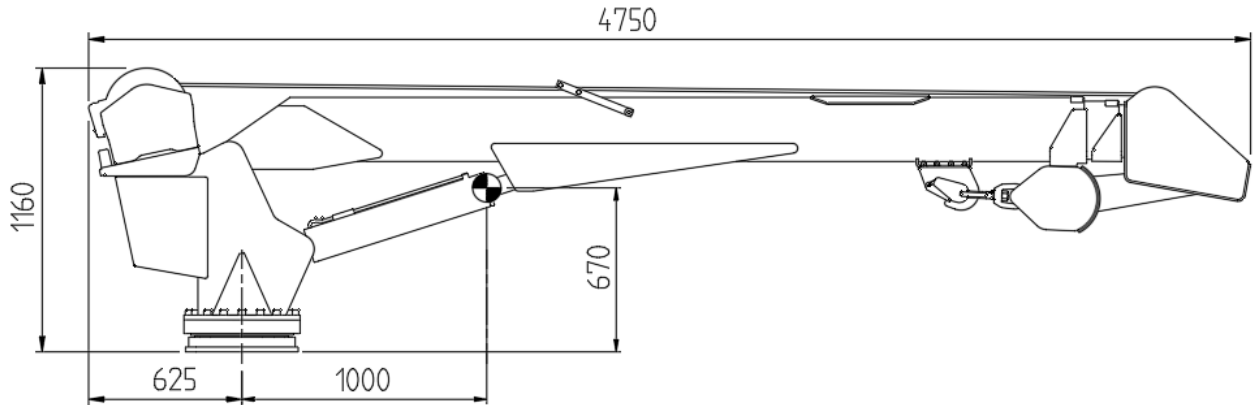


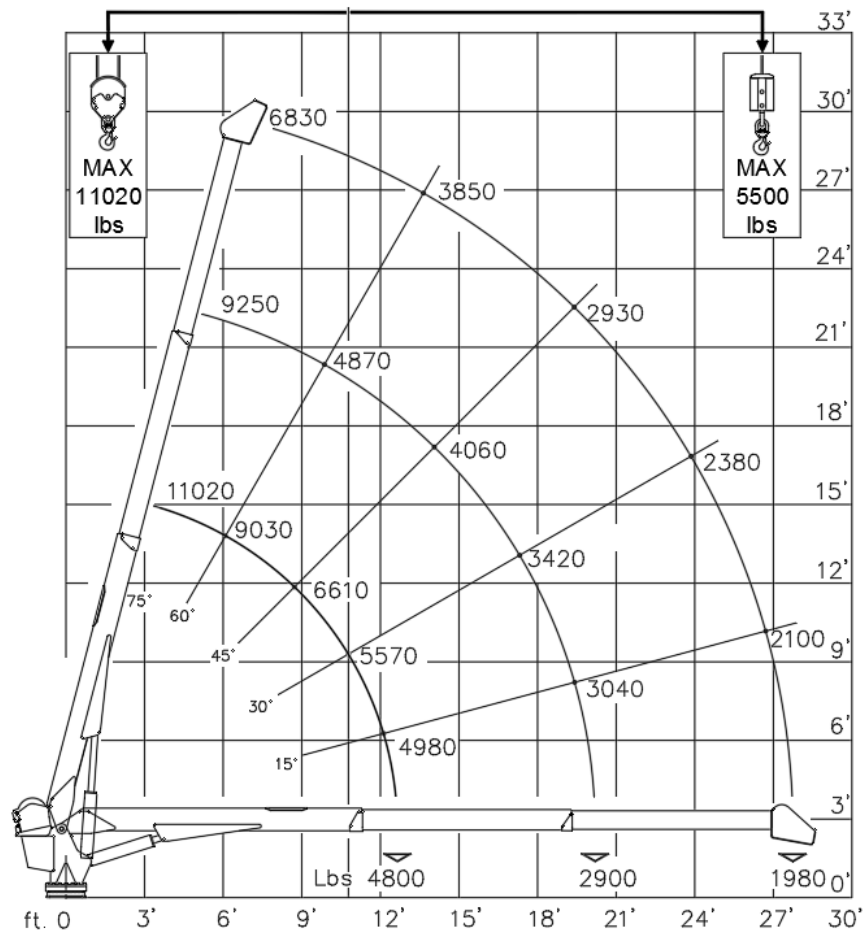
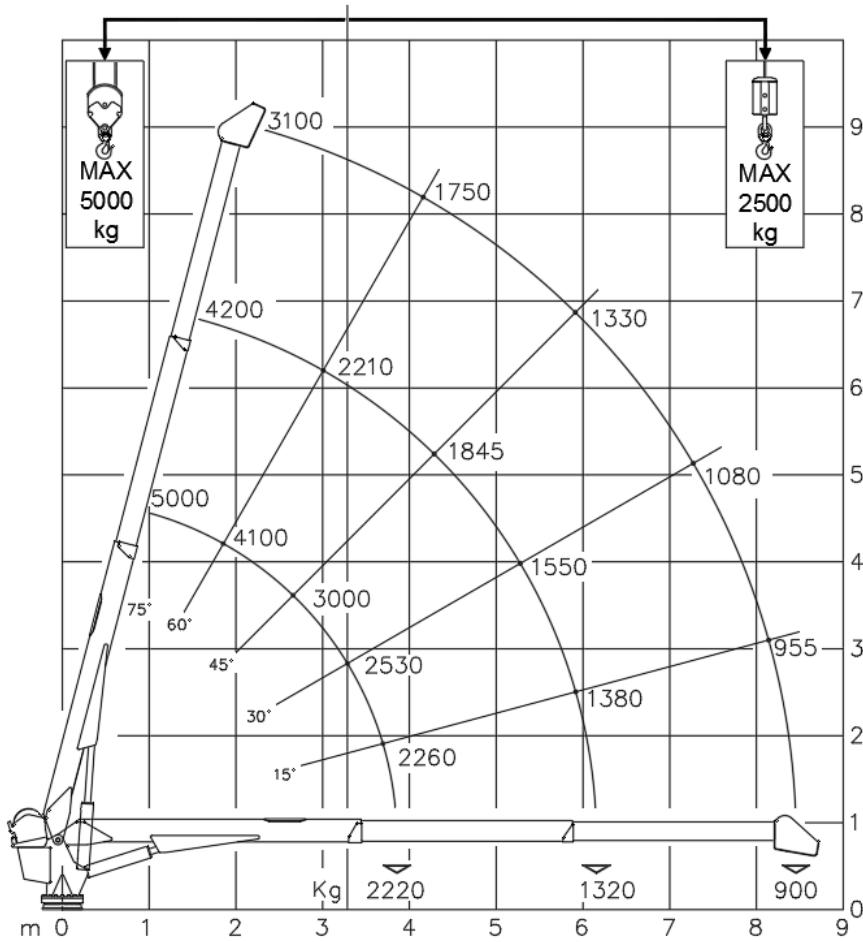
TECHNICAL SHEET

MP.0.210
Rev. 0



Next Hydraulics[®]
RAISE YOUR EXPECTATIONS





TECHNICAL DATA		Cobra 11000L (28 ft)	
CRANE RATING	kNm ft.lbs	85 61400	
EXTENSIONS TYPE		2 HYDRAULIC	
HYDRAULIC EXTENSION	m ft	4.6 15' 1"	
HORIZONTAL REACH (from center line of rotation)	m ft	8.55 28'	
LIFTING HEIGHT FROM BASE OF CRANE	m ft	8.6 28'	
SLEWING ANGLE	°	CONTINUOUS	
SLEWING TORQUE	kNm ft.lbs	8.3 6140	
BOOM ELEVATION ANGLE	°	-10°/ +75°	
MAX. WORKING PRESSURE	bar psi	200 2900	
SUGGESTED OIL FLOW	l/min gpm	25 6.5	
CRANE WEIGHT	kg lbs	900 1980	

WINCH SPECIFICATIONS		
WINCH SINGLE LINE CAPACITY (1 ST layer)	kg lbs	2900 6400
WINCH SINGLE LINE CAPACITY (3 RD layer)	kg lbs	2500 5500
WINCH PULL LINE SPEED (2 ND -3 RD layer)	m/min ft/min	10 - 13 33 - 43
WIRE ROPE DIAMETER	mm in	12 15/32"
WIRE ROPE LENGTH	m ft	35 115'