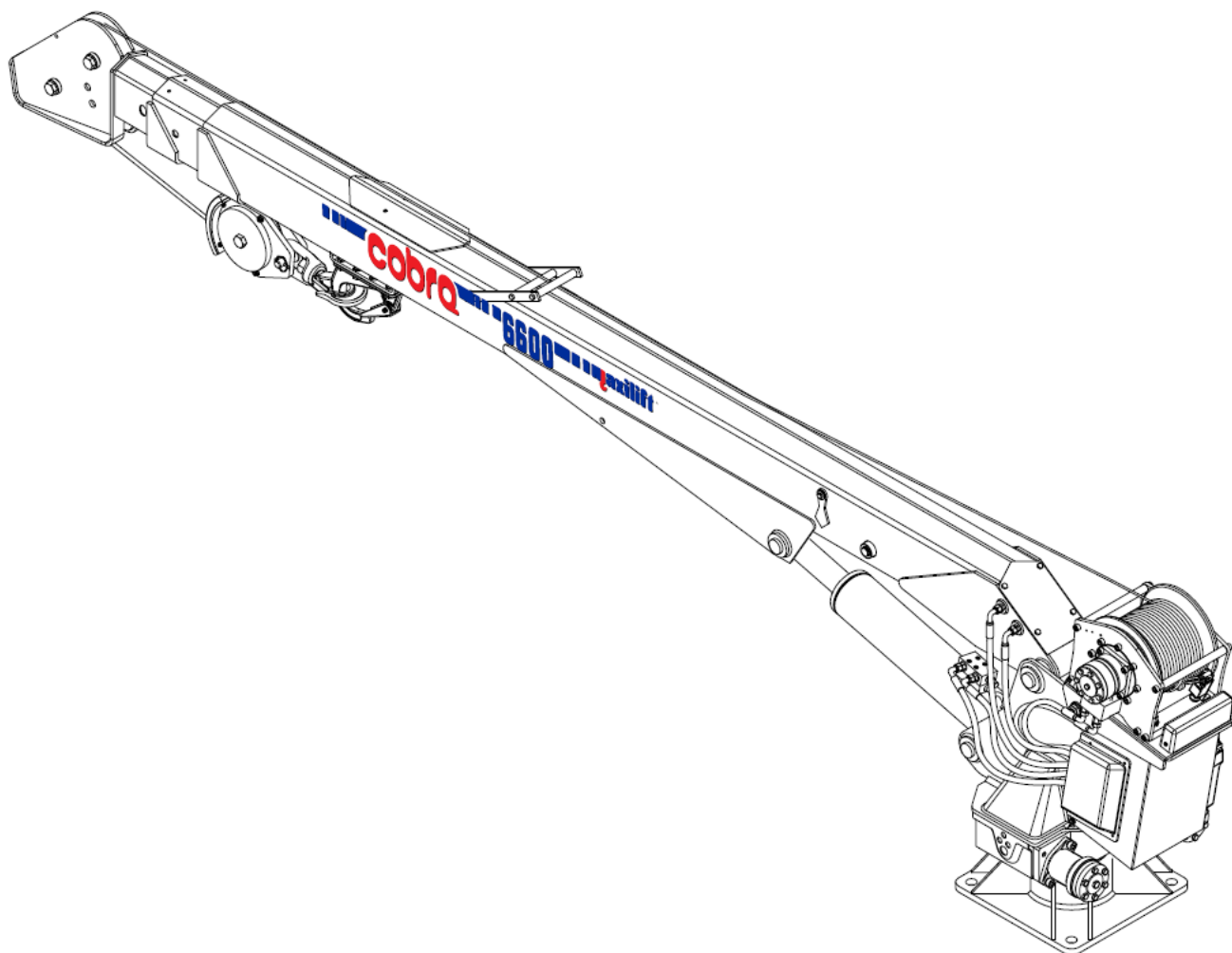


maxilift 6600 cobra

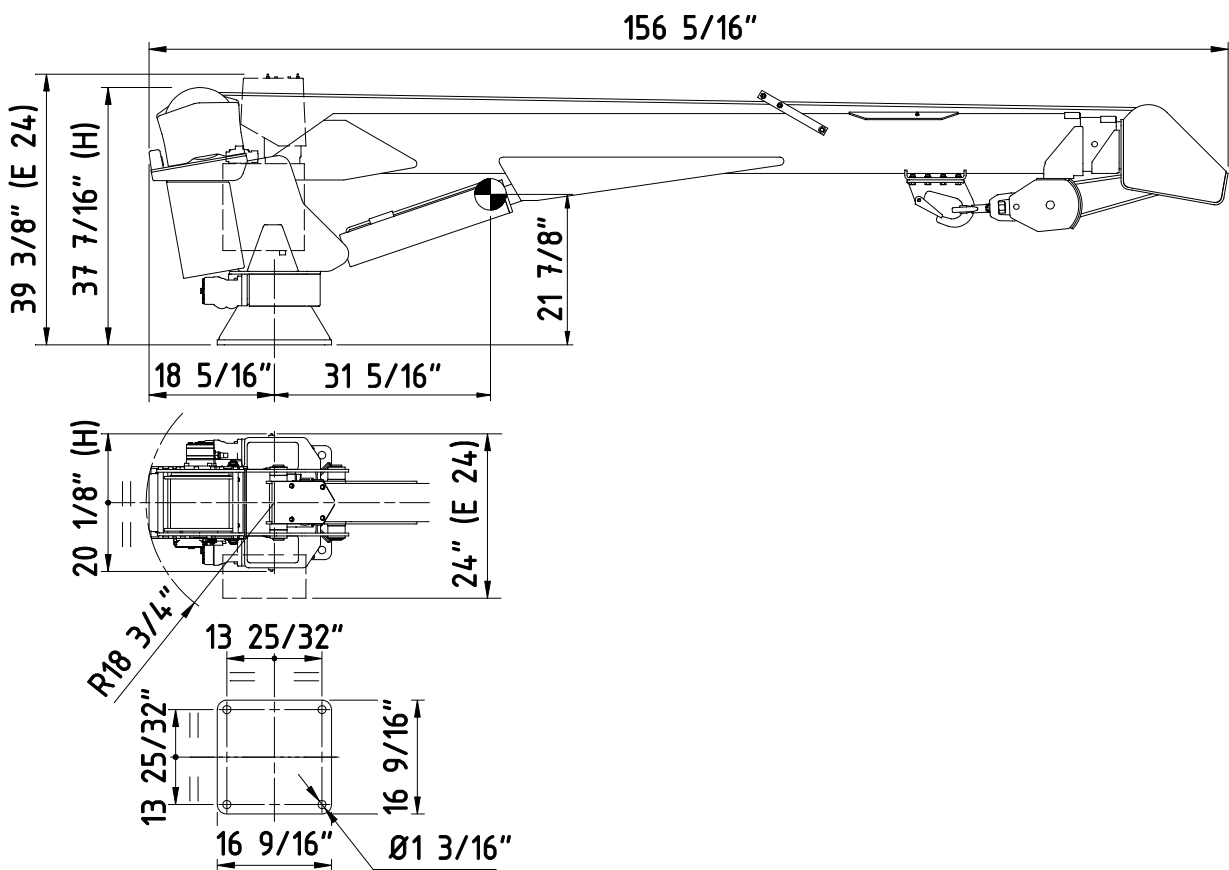
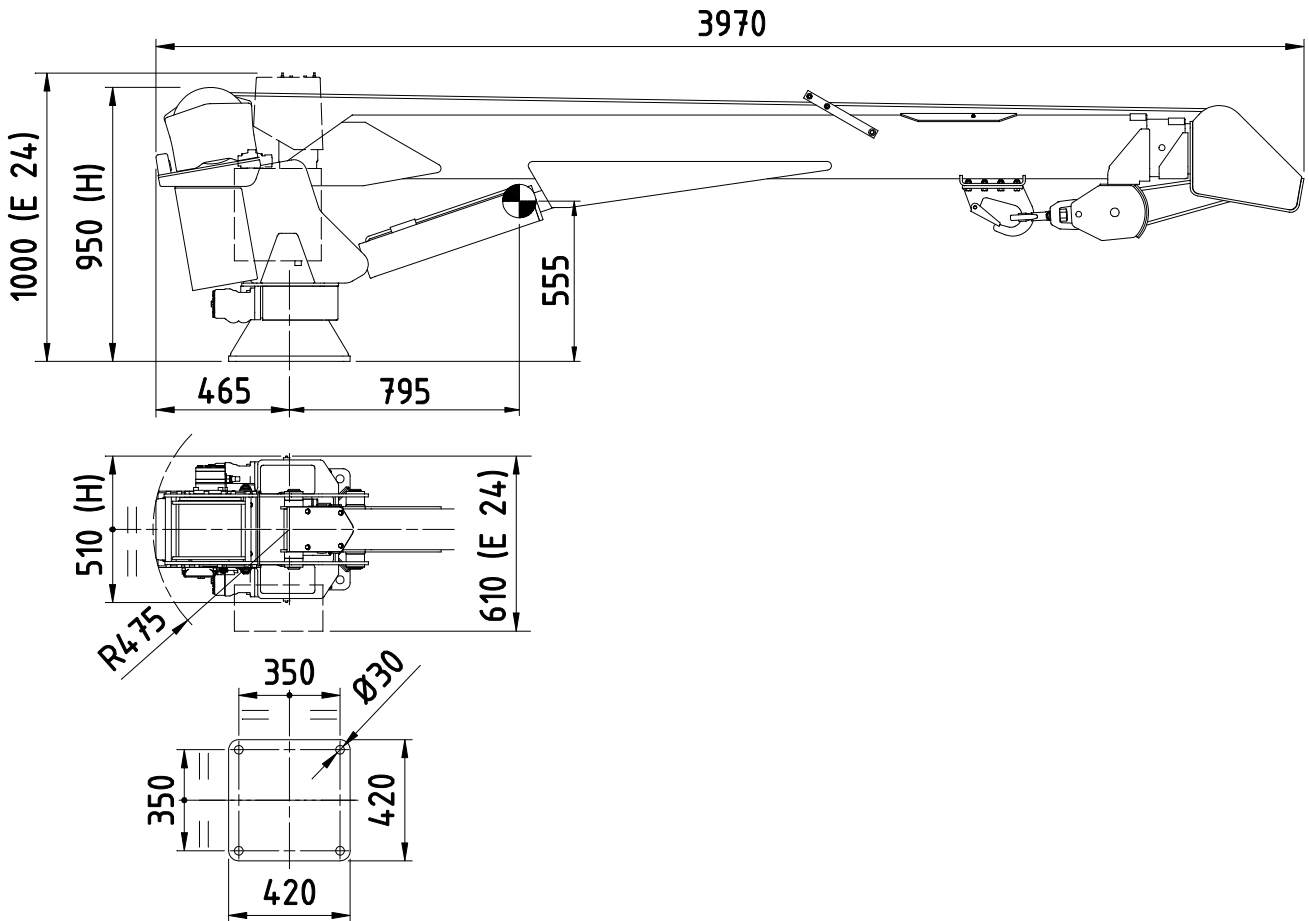


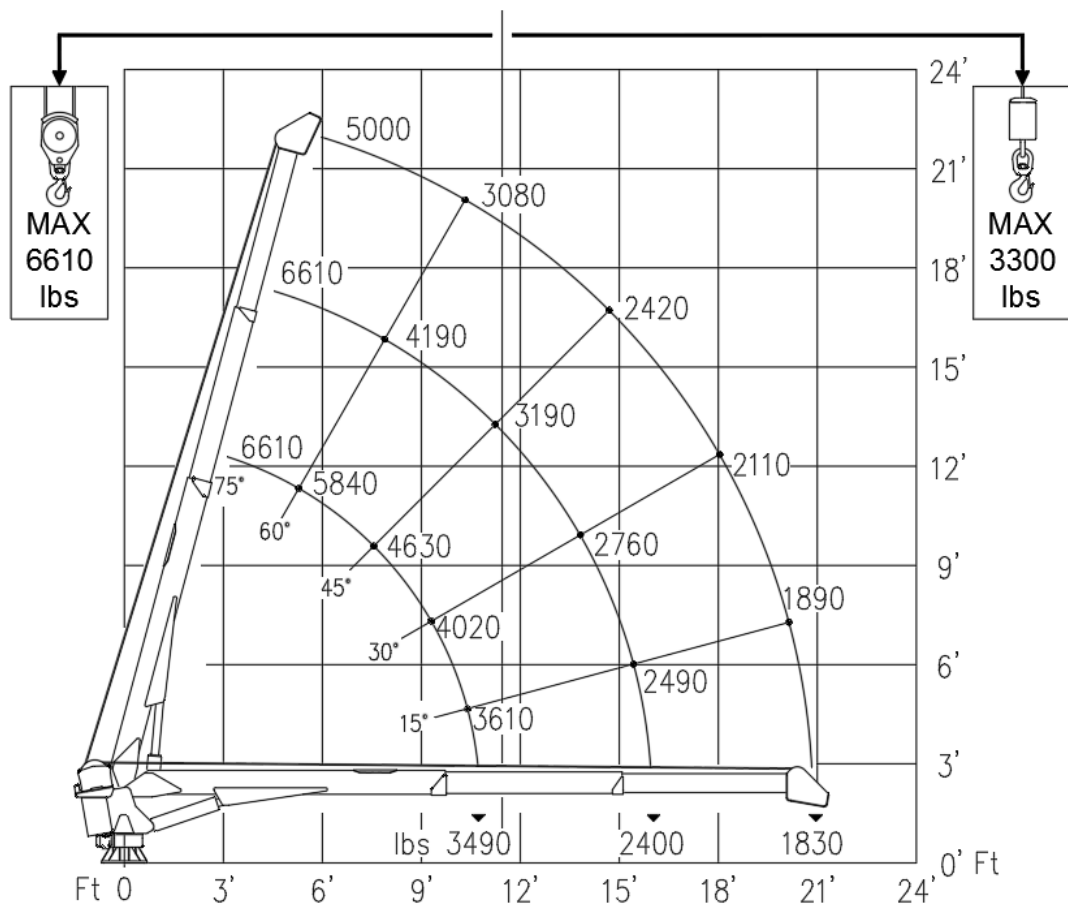
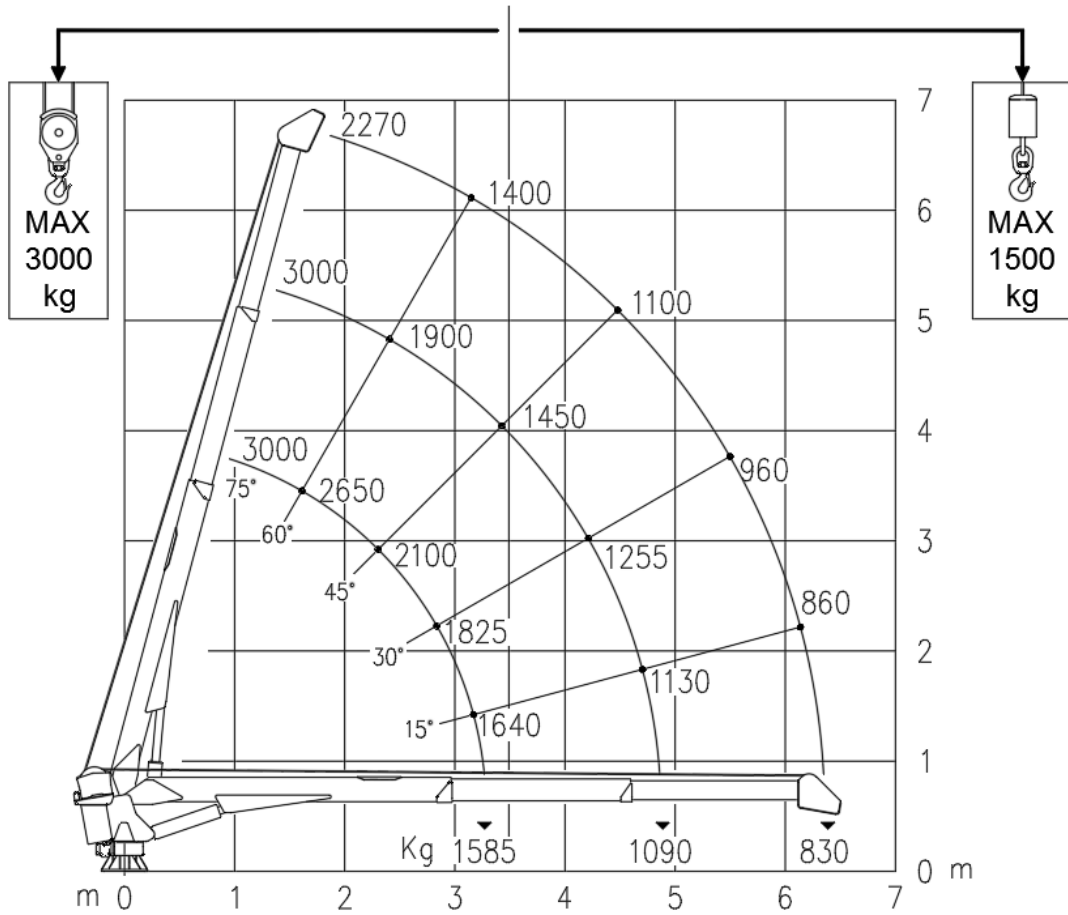
TECHNICAL SHEET

MP.0.206
Rev. 1



Next Hydraulics[®]
RAISE YOUR EXPECTATIONS





TECHNICAL DATA		Cobra 6600
CRANE RATING	kNm ft.lbs	52.3 38600
EXTENSIONS TYPE		2 HYDRAULIC
HYDRAULIC EXTENSION	m ft	3 9' 10"
HORIZONTAL REACH (from center line of rotation)	m ft	6.4 21'
LIFTING HEIGHT FROM BASE OF CRANE	m ft	6.5 21'
SLEWING ANGLE	°	CONTINUOUS
SLEWING TORQUE	kNm ft.lbs	8 5700
BOOM ELEVATION ANGLE	°	-5°/ +75°
MAX. WORKING PRESSURE	bar psi	180 2610
SUGGESTED OIL FLOW	l/min gpm	16 - 18 4.2 - 4.8
CRANE WEIGHT	kg lbs	580 (H) – 610 (E 24) 1280 (H) – 1350 (E 24)

WINCH SPECIFICATIONS		
WINCH SINGLE LINE CAPACITY (1 ST layer)	kg lbs	2010 4430
WINCH SINGLE LINE CAPACITY (3 RD layer)	kg lbs	1500 3300
WINCH PULL LINE SPEED (2 ND –3 RD layer)	m/min ft/min	12 (H) – 7 (E 24) 39 (H) – 23 (E 24)
WIRE ROPE DIAMETER	mm in	10 3/8"
WIRE ROPE LENGTH	m ft	30 98' 5"