



TIGER

CRANES

TIGER STRONG.
UNLEASH THE POWER.



product catalog



WHY TIGER CRANES ARE BETTER

PRODUCT CATALOG

At Tiger Cranes, our #1 priority is to build cranes with industry leading performance — not just on paper, but out in the real world, every time and everywhere. Each Tiger Crane is designed and thoroughly tested to provide full rated lifting capacity with a full cable drum and at a usable reach. Tiger Cranes’ hydraulic lift and extension cylinders are sized not only to hold full loads, but to boom them as well. Tiger Cranes have been time proven reliable from the coal mines of China and the tar sands of northern Canada, to the jungles of South America. Experience Tiger Strong — Unleash the Power.

All Tiger Cranes provide an extensive list of standard features including:

All Models

- Powder coated finish
- Slew ring bearing rotation assemblies
- Boom-mounted winches for constant jib to block length and easier cable stowing
- Sealed turrets to eliminate water entry into the crane tower – no drip pans
- Sealed electrical connections
- Low profile jib head – no flip sheave necessary
- Extended boom length labeled on booms
- Planetary winches for fast line speed and lifting efficiency
- Greater than 2,000 lbs meet ANSI/ASME B30.5 (2018) and OSHA 1910.180

Electric Hydraulic Cranes

- 400° rotation with reduction drive system
- Quick release load block hook
- Wireless remote for functionality and freedom
- Independent 12 VDC winch and hydraulic motors for increased duty cycle

Hydraulic Cranes

- Wireless three-function proportional controls with digital crane load display
- Remote engine start/stop, idle, and option control
- Quick release load block hook
- 400° rotation with double reduction drive system
- Auto II Speed control – automatically reduces maximum speed with load but retains full proportional resolution for unparalleled load control
- Sequenced extension cylinders (29 ft+) – booms will always extend and retract in the same sequence and speed for consistent operation and length determination
- Notification horn
- Boom tip light

CONTENTS

MODEL	DESCRIPTION	PAGE
2060/85	2,000 lbs capacity, electric	4
2081E	2,000 lbs capacity, electric	6
3216E	3,200 lbs capacity, electric	8
4016E	4,000 lbs capacity, electric	10
5032E/EP	5,000 lbs capacity, electric	12
6542E/EP	6,500 lbs capacity, electric	14
5032	5,000 lbs capacity, hydraulic	16
6542	6,500 lbs capacity, hydraulic	18
7543	7,500 lbs capacity, hydraulic	20
8051	8,600 lbs capacity, hydraulic	22
8059	8,600 lbs capacity, hydraulic	24
1061	11,000 lbs capacity, hydraulic	26
1069	11,000 lbs capacity, hydraulic	28
1479	14,000 lbs capacity, hydraulic	30
Outriggers		32
Accessories		35

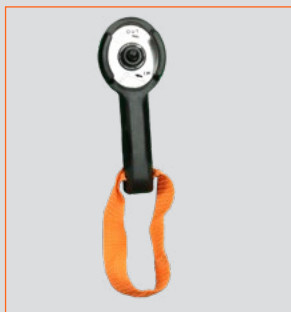


2060 SPECIFICATIONS

- 2,000 lb lift capacity
- 5 ft of manual reach
- 6,000 ft-lb crane rating
- 6 ft lifting height
- 3-4-5 ft manual boom extension
- 0-21-45 boom elevation
- 23.5 FPM winch speed
- 280 lbs operating weight
- 12" x 12" mounting space required
- 57" storage height
- 47" storage length, 20" with boom folded
- 8,500 lb min chassis GVW required

2085 SPECIFICATIONS

- 2,000 lb lift capacity
- 10.5 ft of manual reach
- 8,500 ft-lb crane rating
- 7 ft lifting height
- 6-7.5-9-10.5 ft manual boom extension
- 0-21-45 boom elevation
- 23.5 FPM winch speed
- 33 ft remote control
- 350 lbs operating weight
- 12" x 12" mounting space required
- 33" storage height
- 81" storage length
- 8,500 lb min chassis GVW required



Standard detachable 12 ft corded remote.

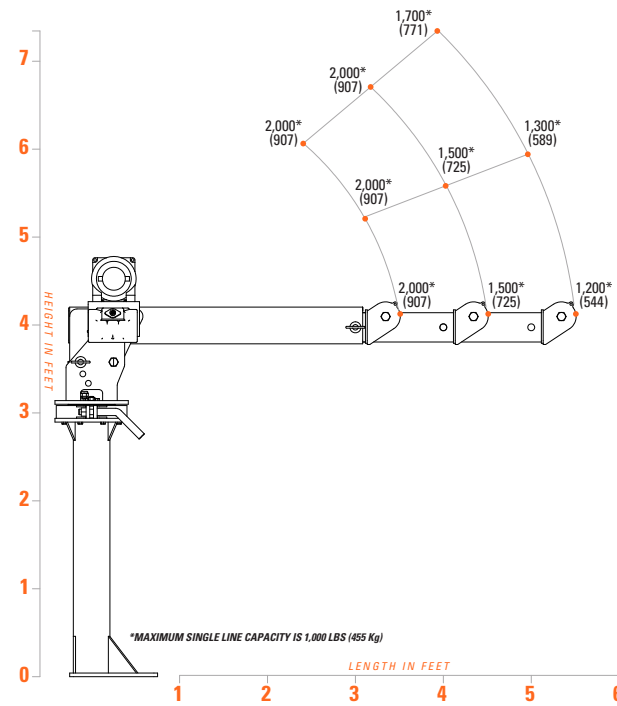


Slew bearing for easy rotation and manual band brake with continuous rotation.

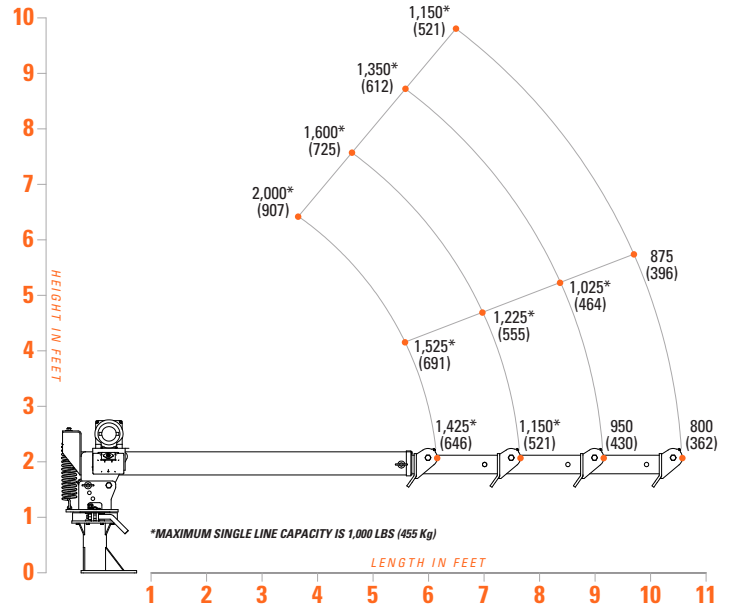


The 2060 can be folded down to save storage space in the truck bed.

2060 LOAD CAPACITIES



2085 LOAD CAPACITIES





STANDARD FEATURES

- 2,000 lb lift capacity
- 11 ft of manual reach
- 3 hydraulic + 1 12V DC functions
- Wireless controls
- -15° to 70° power elevation
- 400° powered rotation

OPTIONS

- Tall base
- 25 ft tethered remote control
- Anti-two-block

SPECIFICATIONS

- 8,500 ft-lb crane rating
- 8,900 ft-lb max moment rating
- 11' ft lifting height
- 6.5-8-9.5-11 ft manual boom extension
- 23.5 FPM winch speed
- 3/16" x 40 ft cable
- 425 lbs operating weight
- 11" Ø mounting space required
- 26" storage height
- 91" storage length
- 10,200 lb min chassis GVW required
- -15° boom angle



Standard ergonomic wireless hand-held controls.

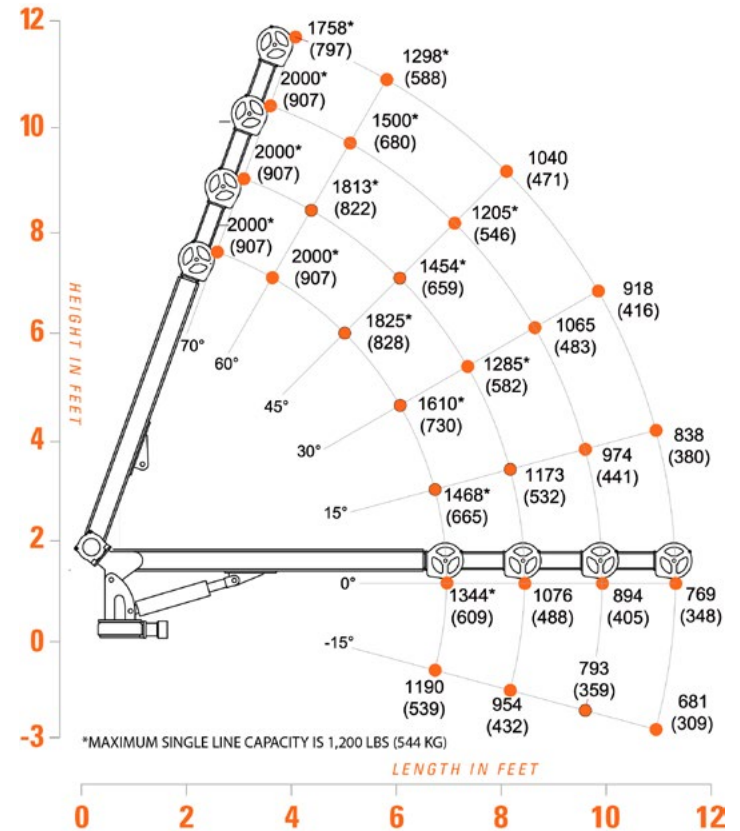


Optional remote with 25' tethered cord (no wireless functionality).



Optional 30" tall base.

2081E LOAD CAPACITIES



The 2081E power rotation and elevation allows you to easily position and handle loads with built-in anti-bounce technology. The 2081E is designed around SRW chassis cab installations, bringing high value to an economical package.



STANDARD FEATURES

- 3,200 lb lift capacity
- 16.5 ft of hydraulic/manual reach
- 3 hydraulic + 1 12V DC functions
- Wireless remote

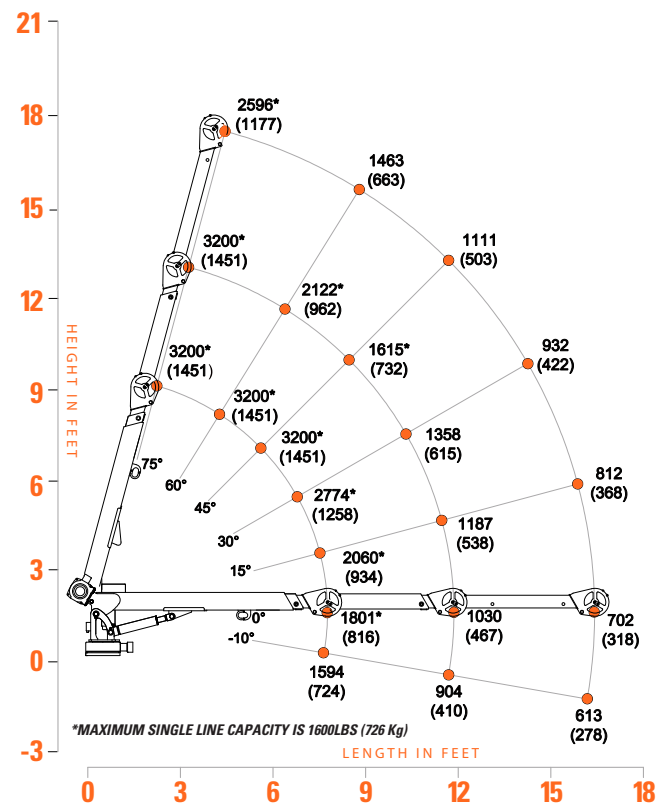
OPTIONS

- Corded remote
- Remote charging pad
- LED boom tip light

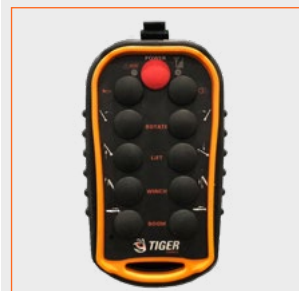
SPECIFICATIONS

- 12,500 ft-lb crane rating
- 13,800 ft-lb max moment rating
- 15 ft lifting height
- 7.8' to 11.8' hydraulic extension, 11.8' to 16.5' manual extension
- 22 FPM winch speed
- 1/4" x 80 ft cable
- 400° rotation with sealed turret
- 750 lbs operating weight
- 14" Ø mounting space required
- 32" storage height
- 108" storage length
- 11k min chassis GVW required
- -10° degree boom angle

3216E LOAD CAPACITIES



The 3216E Tiger Crane features include 3,200 lbs of capacity, standard wireless remote with horn, anti-two-block, four power functions plus manual jib, independent 12 V DC winch and hydraulic motors for increased duty cycle, and sealed turret. The 3216E has a compact storage size making it an ideal choice for 9 ft bodies and its light operating weight offers more payload.



Standard wireless remote provides additional functionality and freedom of operator movement.



Optional remote with 25' tethered cord (no wireless functionality).



Hydraulic and manual boom extension with standard A2B.



STANDARD FEATURES

- 4,000 lb lift capacity
- 16.5 ft of manual
- 3 hydraulic + 1 12V DC functions
- Wireless remote

OPTIONS

- Corded remote
- Remote charging pad
- LED boom tip light

SPECIFICATIONS

- 18,500 ft-lb crane rating
- 20,300 ft-lb max moment rating
- 15 ft lifting height
- 7.8' to 11.8' hydraulic extension, 11.8' to 16.5' manual extension
- 22 FPM winch speed
- 1/4" x 80 ft cable
- 400° rotation with sealed turret
- 750 lbs operating weight
- 14" Ø mounting space required
- 32" storage height
- 108" storage length
- 11k min chassis GVW required
- -10° boom angle



Standard wireless remote provides additional functionality and freedom of operator movement.

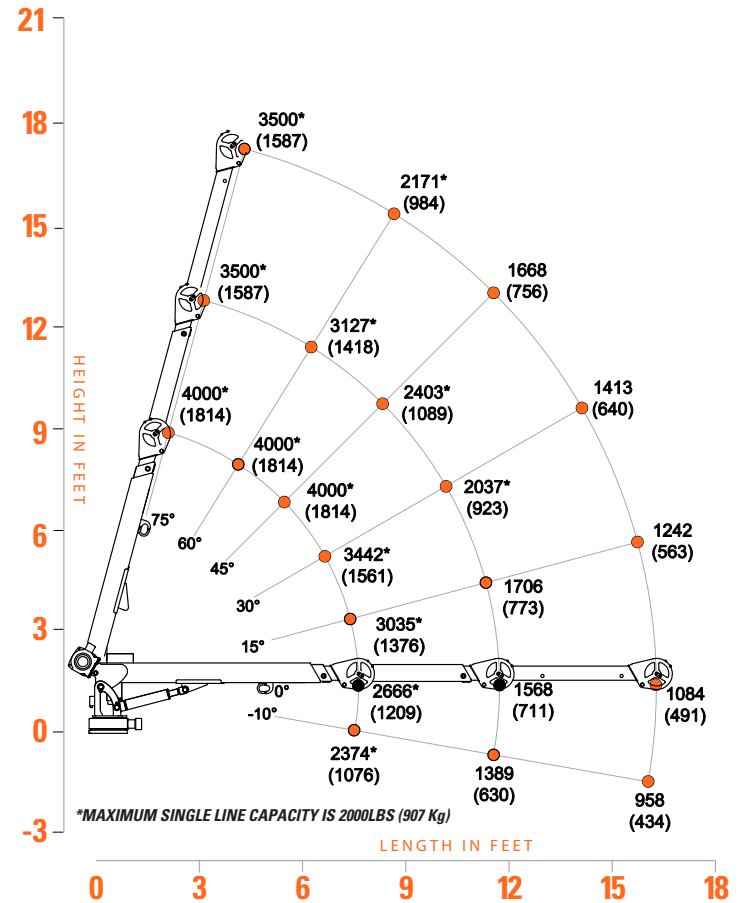


Optional remote with 25' tethered cord (no wireless functionality).



Optional wireless charging pad.

4016E LOAD CAPACITIES



The 4016E Tiger Crane offers class-leading capacity and strength in a compact package. Features include 4,000 lbs of lifting capacity, standard wireless remote with horn, anti-two-block, four power functions plus manual jib, independent 12 V DC winch and hydraulic motors for increased duty cycle, and sealed turret. The 4016E has a compact storage size making it an ideal choice for 9 ft bodies, and its light operating weight offers more payload.

5032E 5032EP

5,000 lbs capacity

ELECTRIC

E



STANDARD FEATURES

- 5,000 lb lift capacity
- 21 ft of hydraulic reach
- Hex boom with low profile A2B
- 3 hydraulic + 1 12V DC functions
- Wireless remote

OPTIONS

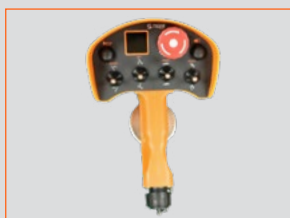
- Wireless three-function proportional control
- LED boom tip light
- 25-ft corded remote

SPECIFICATIONS

- 30,000 ft-lb crane rating
- 32,975 ft-lb max moment rating
- 18.5 ft lifting height
- 12 ft to 21 ft reach with one hydraulic boom extension
- 36 FPM winch speed
- 5/16" x 120 ft cable
- 400° rotation with sealed turret
- 1445 lbs operating weight
- 29" Ø mounting space required
- 38" storage height
- 160" storage length
- 14,500 lb min chassis GVW required
- -15° boom angle



Standard wireless handheld remote with diagnostics.

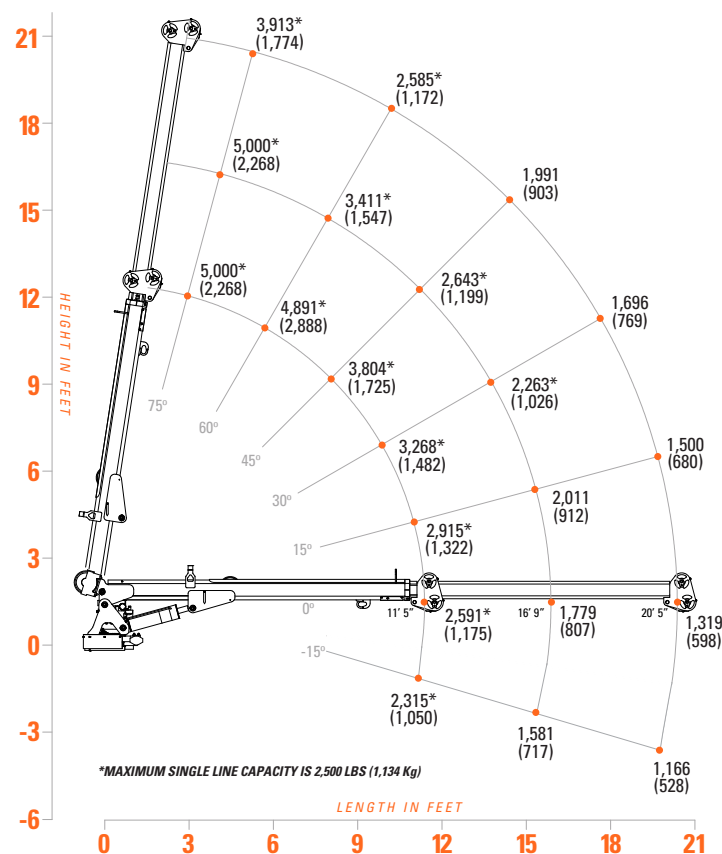


Optional remote with 25' tethered cord (no wireless functionality).



Optional wireless proportional crane and chassis control with digital crane load display.

5032E/5032EP LOAD CAPACITIES



The 5032E and EP are the smallest models built with the hex boom design. Featuring 21-ft of full hydraulic reach with self-aligning hex booms, independent 12 V DC pump motor and winch for increased duty cycle, and anti-bounce technology these electric cranes offer all the big crane features in a weight saving package.

6542E 6542EP

6,500 lbs capacity

ELECTRIC

E



STANDARD FEATURES

- 6,500 lb lift capacity
- 21 ft of hydraulic reach
- Hex boom with low profile jib head
- 3 hydraulic + 1 12V DC functions
- Wireless remote

OPTIONS

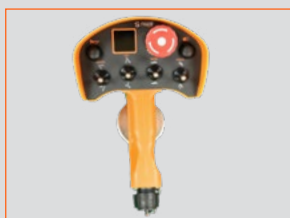
- Wireless three-function proportional control
- LED boom tip light
- 25-ft corded remote

SPECIFICATIONS

- 40,000 ft-lb crane rating
- 43,200 ft-lb max moment rating
- 18.5 ft lifting height
- 12 ft to 21 ft reach with one hydraulic boom extension
- 36 FPM winch speed
- 3/8" x 120 ft cable
- 400° rotation with sealed turret
- 1500 lbs operating weight
- 29" Ø mounting space required
- 38.25" storage height
- 160" storage length
- 14,500 lb min chassis GVW required
- -15° boom angle



Standard wireless handheld remote with diagnostics.

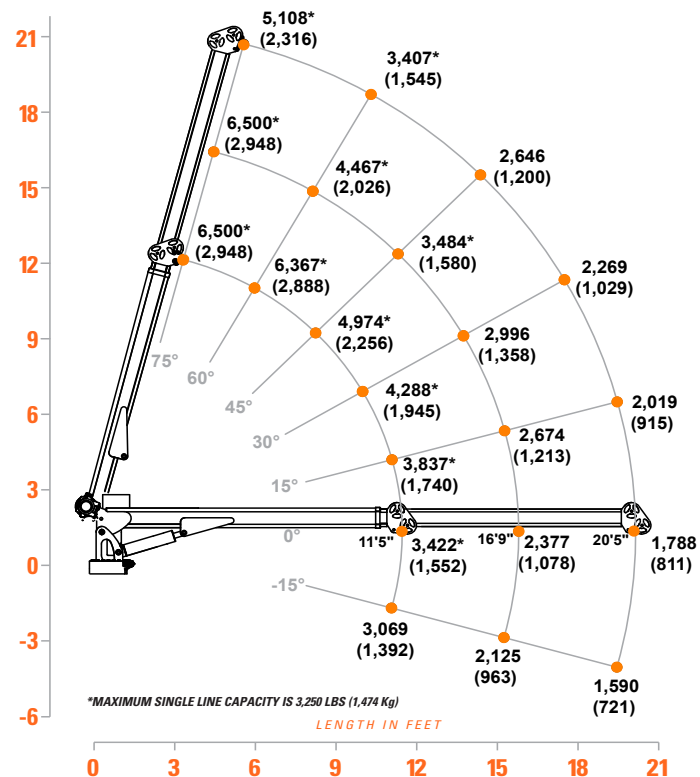


Optional remote with 25' tethered cord (no wireless functionality).



Optional wireless proportional crane and chassis control with digital crane load display.

6542E/6542EP LOAD CAPACITIES



The 6542E and EP are the largest electric models available from Tiger Cranes. With industry leading capacity, these cranes will lift your heavy work without a PTO and pump. The 6542E & 6542EP feature 21 ft of full hydraulic reach with self-aligning hex booms, independent 12 V DC pump motor and winch motors for increased duty cycle, and anti-bounce technology.



STANDARD FEATURES

- 5,000 lb lift capacity
- 21 ft of hydraulic reach
- 4 hydraulic functions
- Hex boom with low profile jib head
- Boom-mounted planetary winch
- Wireless proportional control with digital crane load display
- Auto II speed

OPTIONS

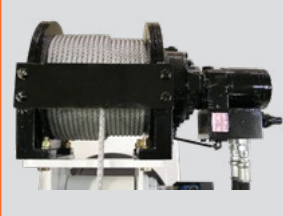
- LED boom tip light

SPECIFICATIONS

- 30,000 ft-lb crane rating
- 32,975 ft-lb max moment rating
- 18.5 ft lifting height
- 12 ft to 21 ft reach with one hydraulic boom extension
- 70 FPM winch speed
- 5/16" x 120 ft cable
- 400° rotation with sealed turret
- 1380 lbs operating weight
- 18" Ø mounting space required
- 36" storage height
- 159" storage length
- 14,500 lb min chassis GVW required
- 8 GPM @ 2875 PSI – open center hydraulic required
- 33 ft remote tether cord
- -15° boom angle



Standard wireless proportional crane and chassis control with digital crane load display.

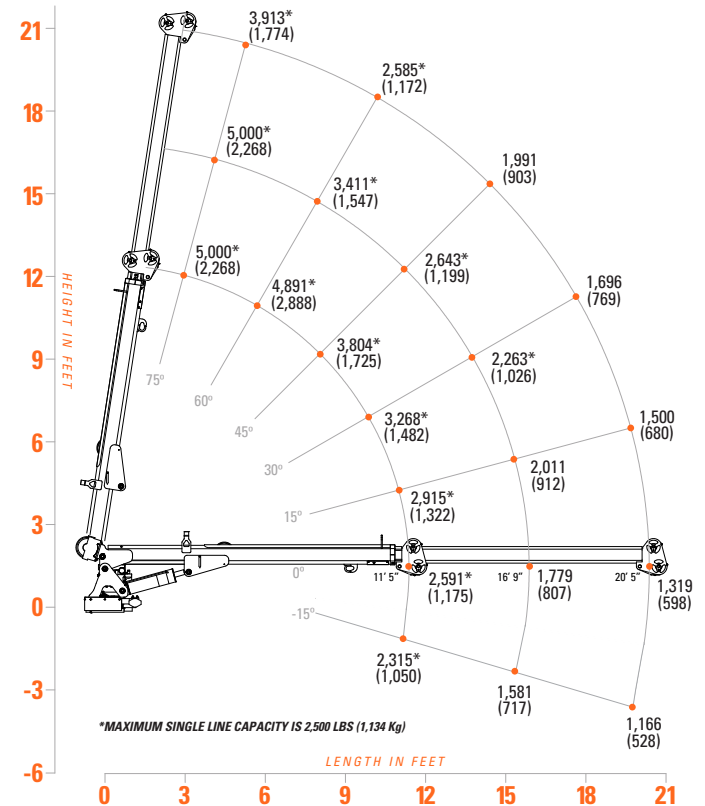


Planetary winch provides the speed and power necessary for quick lifts and stowing.



Sealed center rotation eliminates the need for a drip pan in the crane tower.

5032 LOAD CAPACITIES



The 5032 is the smallest of the hydraulic cranes available from Tiger Cranes. Featuring self-aligning hex boom design, all hydraulic extension, Auto II Speed, and a strong 30,000 ft-lb rating, the 5032 is a full feature hydraulic crane in a weight saving package.



STANDARD FEATURES

- 6,500 lb lift capacity
- 21 ft of hydraulic reach
- 4 hydraulic functions
- Hex boom with low profile jib head
- Boom-mounted planetary winch
- Wireless proportional control with digital crane load display
- Auto II Speed control

OPTIONS

- LED boom tip light

SPECIFICATIONS

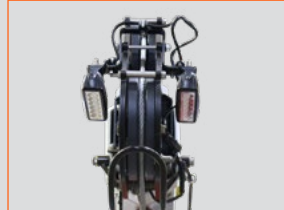
- 40,000 ft-lb crane rating
- 43,200 ft-lb max moment rating
- 18.5 ft lifting height
- 12 ft to 21 ft reach with one hydraulic boom extension
- 70 FPM winch speed
- 3/8" x 120 ft cable
- 400° rotation with sealed turret
- 1450 lbs operating weight
- 18" Ø mounting space required
- 37" storage height
- 159" storage length
- 14,500 lb min chassis GVW required
- 8 GPM @ 2875 PSI – open center hydraulic required
- 33 ft remote tether cord
- -15° boom angle



Standard wireless proportional crane and chassis control with digital crane load display.

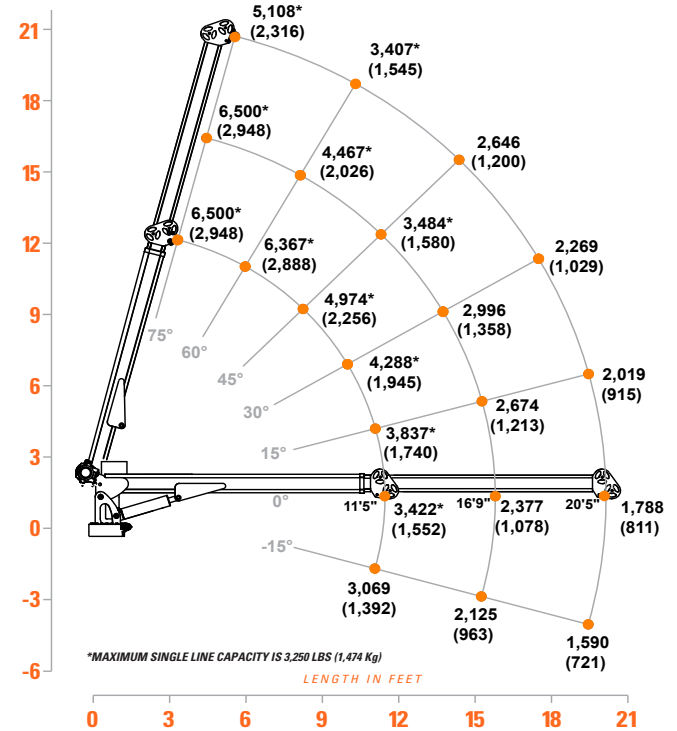


Auto II Speed automatically reduces the maximum working speed of all crane functions when a load is sensed.



Boom tip light option adds work area lighting directly below hook. Dual LED lights with side-to-side adjustment.

6542 LOAD CAPACITIES



The 6542 is the most popular Tiger Crane model. Boasting a very strong 40,000 ft-lb rating and 6,500 lbs lift capacity, the 6542 is the crane for your medium duty service truck.



STANDARD FEATURES

- 7,500 lb lift capacity
- 30.5 ft of hydraulic reach
- 4 hydraulic functions
- Hex boom with low profile jib head
- Boom-mounted planetary winch
- Wireless proportional remote with digital crane load display
- Auto II Speed control

OPTIONS

- LED boom tip light

SPECIFICATIONS

- 47,000 ft-lb crane rating
- 52,300 ft-lb max moment rating
- 29 ft lifting height
- 12 ft to 30.5 ft hydraulic boom extension
- 68 FPM winch speed
- 3/8" x 120 ft cable
- 400° rotation with sealed turret
- 1850 lbs operating weight
- 18" Ø mounting space required
- 41.7" storage height
- 170" storage length
- 19,500 lb min chassis GVW required
- 8 GPM @ 2750 PSI – open center
- 33 ft remote tether cord
- -13° boom angle



Standard wireless proportional crane and chassis control with digital crane load display.

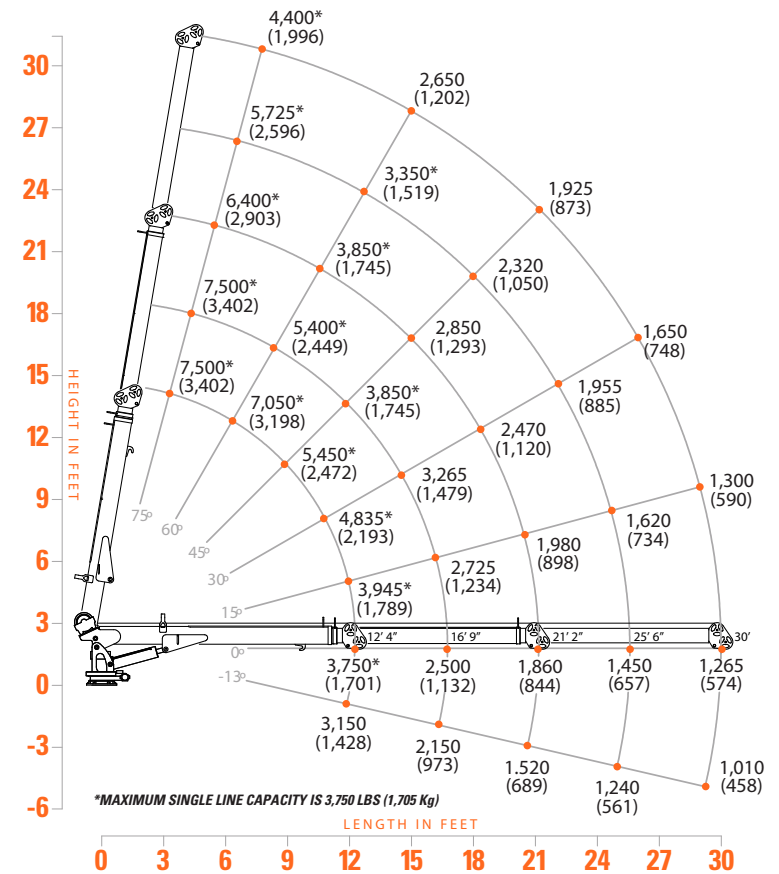


Exclusive sequenced two-stage hydraulic boom extensions provide a total of 30.5 ft of reach.



Fixed Rotation - The 7543 features a fixed base that allows it to work well with deck covers without the need for a riser.

7543 LOAD CAPACITIES



The 7543 Tiger Crane is specifically designed for 19.5 GVW applications requiring 30.5 ft of horizontal reach. Possessing 7,500 lbs of lifting capacity and all the innovations included in the Tiger Crane family makes this model a leader in the medium duty truck markets.



STANDARD FEATURES

- 8,600 lb lift capacity
- 21 ft of hydraulic reach
- 4 hydraulic functions
- Hex boom with low profile jib head
- Boom mounted planetary winch
- Wireless proportional control with digital crane load display
- Auto II Speed control

OPTIONS

- LED boom tip light

SPECIFICATIONS

- 50,000 ft-lb crane rating
- 58,900 ft-lb max moment rating
- 18.5 ft lifting height
- 12 ft to 21 ft reach with one hydraulic boom extension
- 58 FPM winch speed
- 3/8" x 120 ft cable
- 400° rotation with sealed turret
- 1,750 lbs operating weight
- 18" Ø mounting space required
- 41" storage height
- 159" storage length
- 19,500 lb min chassis GVW required
- 8 GPM @ 2,900 PSI open center hydraulic required
- 33 ft remote tether cord
- -8° boom angle



Standard wireless proportional crane and chassis control with digital crane load display.

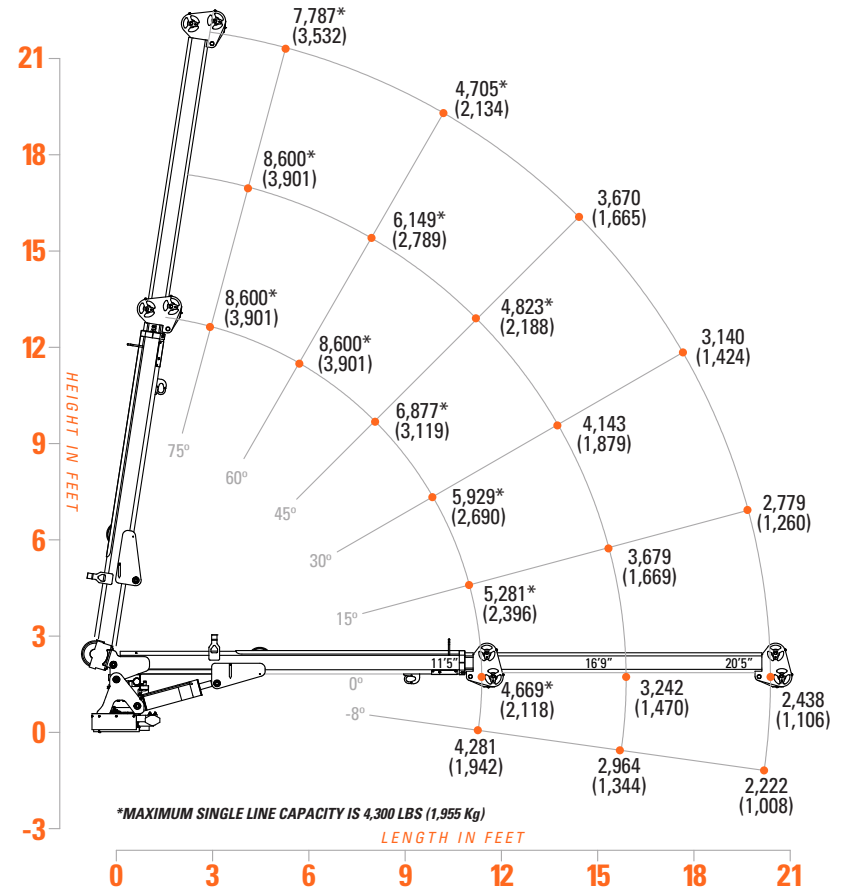


D03 Valve system provides reliable hydraulic control, indicator lights, integrated filtration, and manual overrides.



Auto II Speed automatically reduces the maximum working speed of all crane functions when a load is sensed.

8051 LOAD CAPACITIES



The 8051 is largest crane available to be mounted on a 19.5k GVW chassis. With 8,600 lbs of gross lifting capacity, 21 ft of full hydraulic reach, Auto II Speed control and high speed planetary winch, the 8051 will be your jobsite workhorse.



STANDARD FEATURES

- 8,600 lb lift capacity at 5.8 ft
- 29 ft of hydraulic reach
- 4 hydraulic functions
- Hex boom with low profile jib head
- Boom-mounted planetary winch
- Wireless proportional control with digital crane load display
- Auto II Speed control

OPTIONS

- LED boom tip light

SPECIFICATIONS

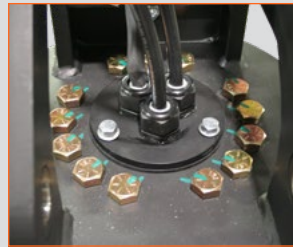
- 60,000 ft-lb crane rating
- 68,300 ft-lb max moment rating
- 27 ft lifting height
- 12 ft to 29 ft reach with two hydraulic boom extensions
- 56 FPM winch speed
- 3/8" x 120 ft cable
- 400° rotation with sealed turret
- 2,500 lbs operating weight
- 18" Ø mounting space required
- 41" storage height
- 162" storage length
- 25,000 lb min chassis GVW required
- 8 GPM @ 2,950 PSI open center hydraulic required
- 33 ft remote tether cord
- -8° boom angle



Standard wireless proportional crane and chassis control with digital crane load display.

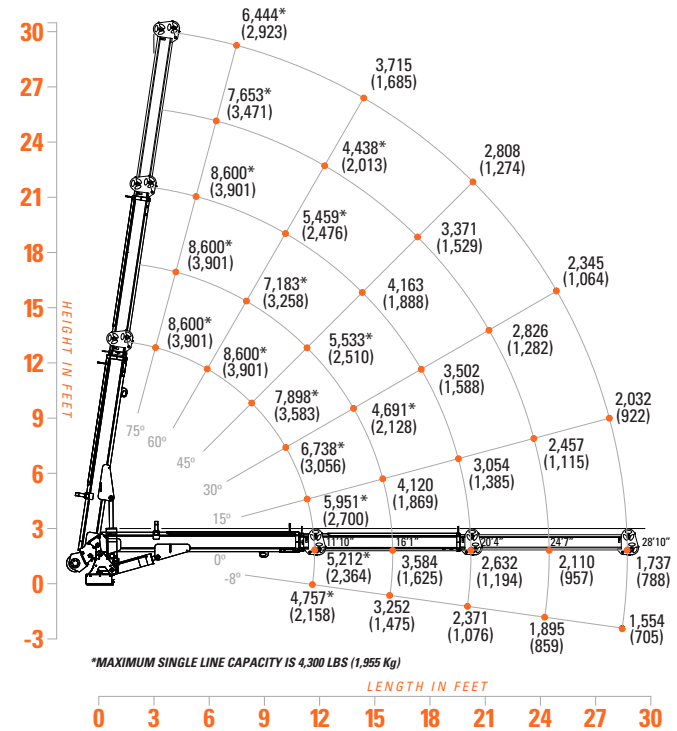


Exclusive sequenced two-stage hydraulic boom extensions provide a total of 29 ft of reach.



Sealed center rotation eliminates the need for a drip pan in the crane tower.

8059 LOAD CAPACITIES



*MAXIMUM SINGLE LINE CAPACITY IS 4,300 LBS (1,955 Kg)



The 8059 is perfect fit for those who need a long reach crane on a 26k GVW chassis. Featuring 8,600 lbs of lifting capacity, 29 ft of reach, and a wireless remote with digital crane load display, the 8059 will allow you to work confidently in long reach applications.



STANDARD FEATURES

- 11,000 lb lift capacity
- 21 ft of hydraulic reach
- 4 hydraulic functions
- Hex boom with low profile jib head
- Boom-mounted planetary winch
- Wireless proportional control with digital crane load display
- Auto II Speed control

OPTIONS

- LED boom tip light

SPECIFICATIONS

- 66,000 ft-lb crane rating
- 72,200 ft-lb max moment rating
- 18.5 ft lifting height
- 12 ft to 21 ft reach with one hydraulic boom extension
- 60 FPM winch speed
- 7/16" x 120 ft cable
- 400° rotation with sealed turret
- 2070 lbs operating weight
- 21" Ø mounting space required
- 42" storage height
- 158" storage length
- 25,500 lb min chassis GVW required
- 10 GPM @ 2775 PSI – open center hydraulic required
- 33 ft remote tether cord
- -6.5° boom angle



Standard wireless proportional crane and chassis control with digital crane load display.

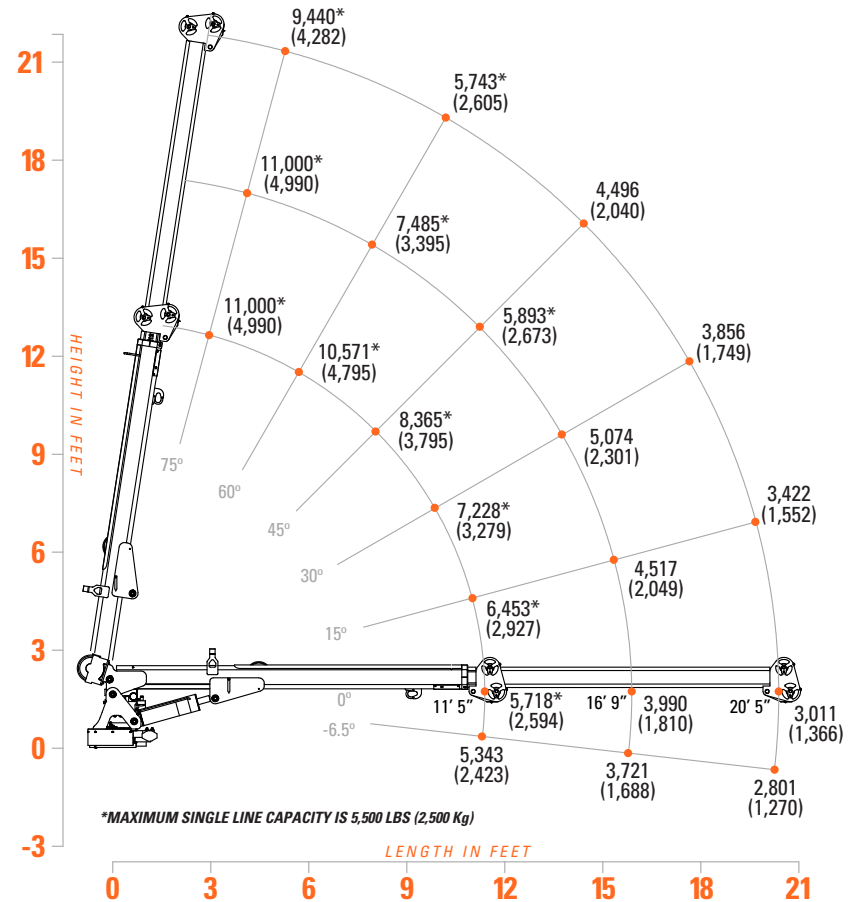


33 ft tether cord (included) allows RF-free operation or alternate power.



Auto II Speed automatically reduces the maximum working speed of all crane functions when a load is sensed.

1061 LOAD CAPACITIES



The 1061 Tiger Crane is the crane for the heavy lift user that needs big capacity in a compact package. Featuring 11,000 lbs of gross lift, 21 ft of power reach, and the ability to mount on an 11 ft crane body, the 1061 is the crane for heavy duty versatility.



STANDARD FEATURES

- 11,000 lb lift capacity
- 29 ft of hydraulic reach
- 4 hydraulic functions
- Hex boom with low profile jib head
- Boom-mounted planetary winch
- Wireless proportional control with digital crane load display
- Auto II Speed control

OPTIONS

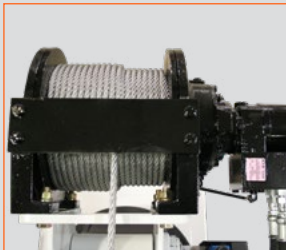
- LED boom tip light

SPECIFICATIONS

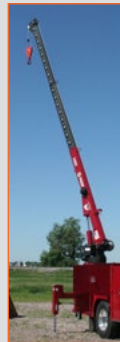
- 75,000 ft-lb crane rating
- 81,500 ft-lb max moment rating
- 26.5 ft lifting height
- 12 ft to 29 ft reach with two hydraulic boom extensions
- 60 FPM winch speed
- 7/16" x 120 ft cable
- 400° rotation with sealed turret
- 2,500 lbs operating weight
- 21" Ø mounting space required
- 44" storage height
- 162" storage length
- 25,500 lb min chassis GVW required
- 10 GPM @ 3,000 PSI open center hydraulic required
- 33 ft remote tether cord
- -6.5° boom angle



Standard wireless proportional crane and chassis control with digital crane load display.

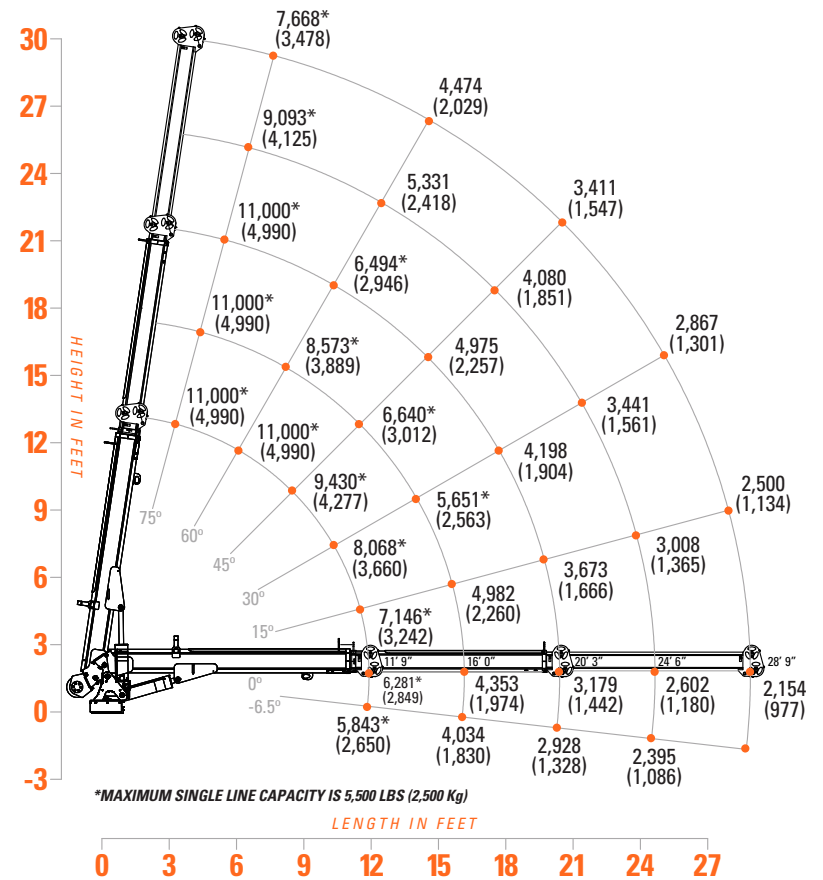


Planetary winch provides the speed and power necessary for quick lifts and stowing.



Two-stage hydraulic boom extensions provide a total of 29 ft of reach. Exclusive sequenced extension cylinders provide consistent first and second stage operation.

1069 LOAD CAPACITIES



The 1069 Tiger Crane features 29 ft of hydraulic reach and 11,000 lbs of lifting capacity, all in a crane that can be mounted on a 25.5k GVW or larger chassis.



STANDARD FEATURES

- 14,000 lb lift capacity
- 29 ft of hydraulic reach
- 4 hydraulic functions
- Hex boom with low profile jib head
- Boom-mounted planetary winch
- Wireless proportional control with digital crane load display
- Auto II Speed control

OPTIONS

- LED boom tip light

SPECIFICATIONS

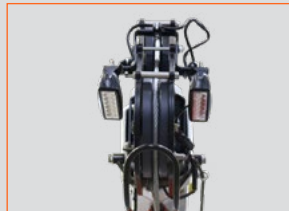
- 90,000 ft-lb crane rating
- 95,400 ft-lb max moment rating
- 26.5 ft lifting height
- 12 ft to 29 ft reach with two hydraulic boom extensions
- 45 FPM winch speed
- 1/2" x 120 ft cable
- 400° rotation with sealed turret
- 3,140 lbs operating weight
- 21" Ø mounting space required
- 46" storage height
- 164" storage length
- 33,000 lb minimum x 120 CA Chassis GVW required
- 10 GPM @ 3000 PSI open center hydraulic required
- 33 ft remote tether cord
- -11.5° boom angle



Standard wireless proportional crane and chassis control with digital crane load display.

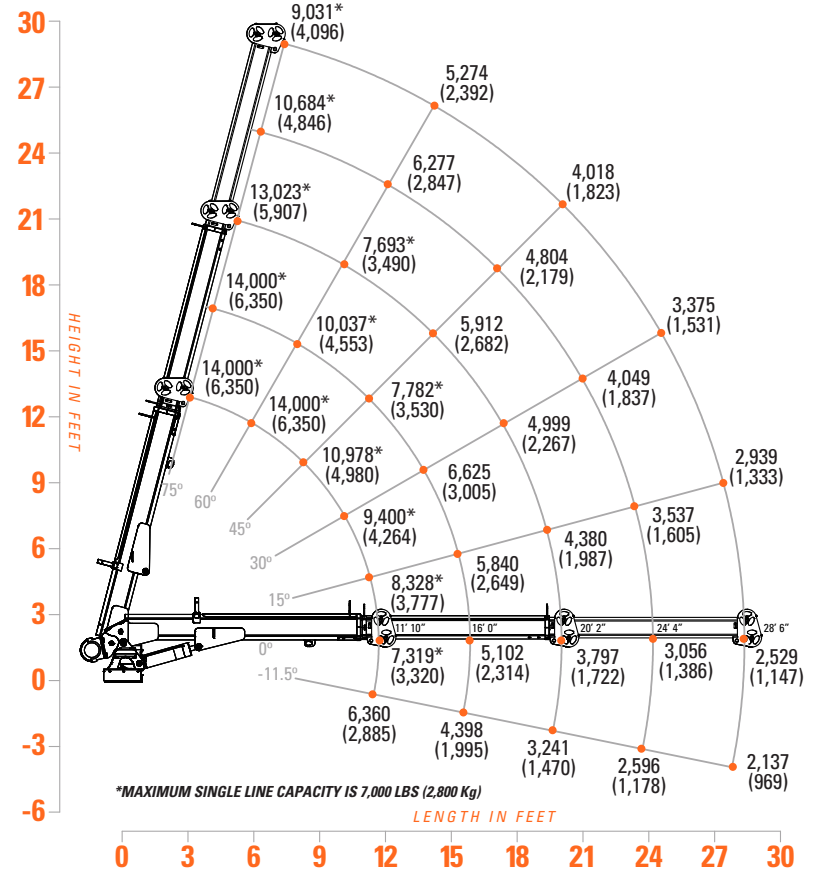


D03 Valve system provides reliable hydraulic control, indicator lights, integrated filtration, and manual overrides.



Boom tip light option adds work area lighting directly below hook. Dual LED lights with side-to-side adjustment.

1479 LOAD CAPACITIES



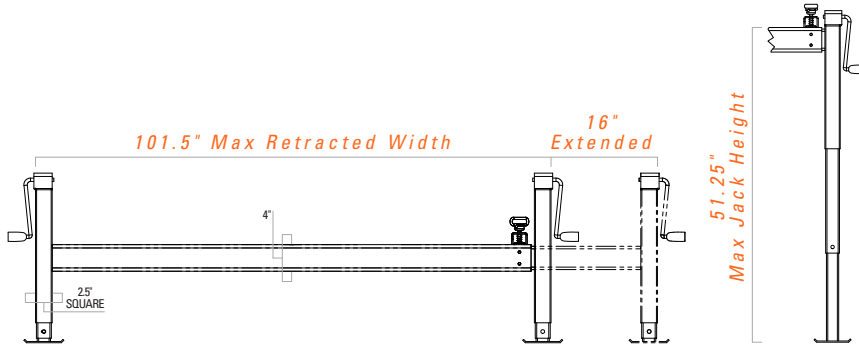
The 1479 crane is the largest Tiger Crane available. Designed for maximum loads and reach, the 1479 has 14,000 lbs of lift capacity and a 90,000-ft-lb crane rating. Whether you need big capacity or long reach, the 1479 has it all.

OUTRIGGERS

11K OUTRIGGER

SPECIFICATIONS

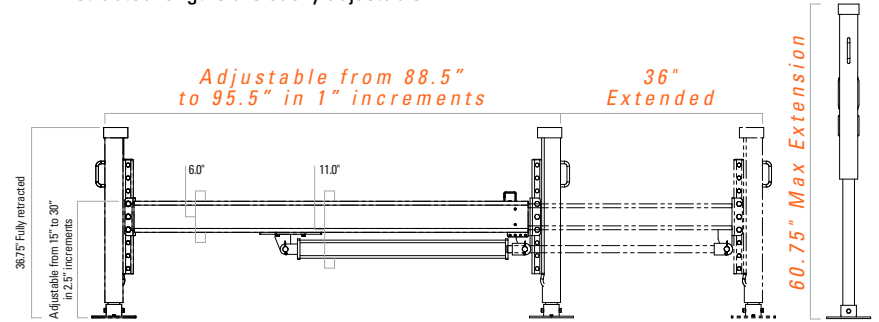
- For use with 11,000 ft-lb crane
- 16" extension
- 8,000 lb sidewind jacks with drop legs
- Stationary arm tube is to be cut to length and welded to the jacks by the customer
- Outrigger can have any retracted length up to 101.5", jack height or jack handle orientation



30K OUTRIGGER

SPECIFICATIONS

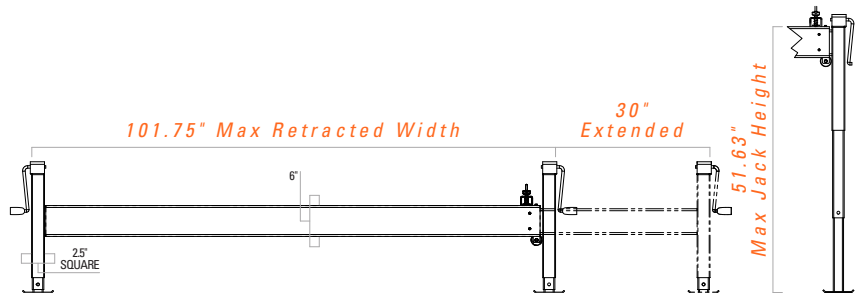
- For use with a 30,000 ft-lb crane
- 36" extension
- Available in hydraulic out/hydraulic down, manual out/hydraulic down, and manual out/manual down configurations
- 12,000 lb sidewind jacks with drop legs on manual down version
- Manual out version is equipped with a roller for easy extension
- Retracted lengths are easily adjustable



20K OUTRIGGER

SPECIFICATIONS

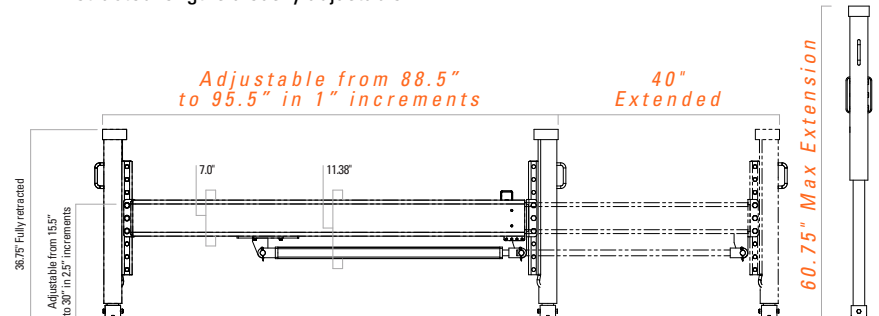
- For use with a 20,000 ft-lb crane
- 30" extension
- 8,000 lb sidewind jacks with drop legs
- Equipped with a roller for easy extension
- Stationary arm tube is to be cut to length and welded to the jacks by the customer
- Outrigger can have any retracted length up to 101.75", jack height or jack handle orientation



40K OUTRIGGER

SPECIFICATIONS

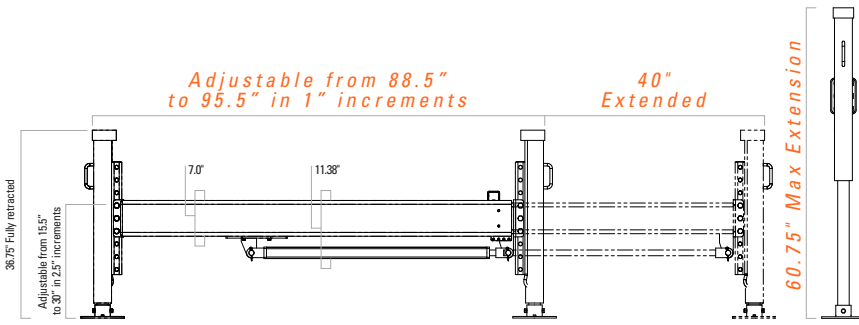
- For use with a 40,000 ft-lb crane
- 40" extension
- Available in hydraulic out/hydraulic down, manual out/hydraulic down, and manual out/manual down configurations
- 12,000 lb sidewind jacks with drop legs on manual down version
- Manual out version is equipped with a roller for easy extension
- Retracted lengths are easily adjustable



50K OUTRIGGER

SPECIFICATIONS

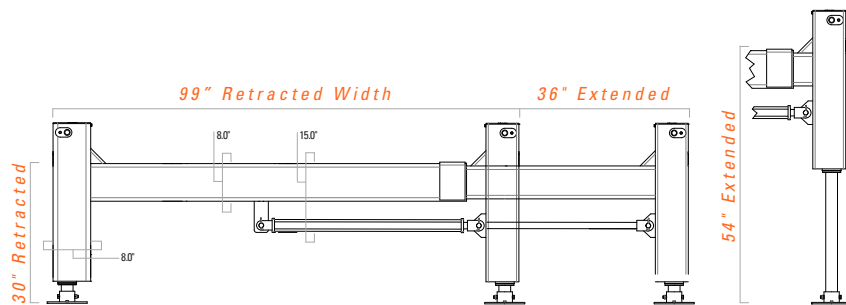
- For use with a 50,000 ft-lb crane
- 40" extension
- Available in hydraulic out/hydraulic down and manual out/hydraulic down configurations
- 12,000 lb sidewind jacks with drop legs on manual down version
- Manual out version is equipped with a roller for easy extension
- Retracted lengths are easily adjustable



90K OUTRIGGER

SPECIFICATIONS

- For use with a 90,000 ft-lb crane
- 36" extension
- Hydraulic out/hydraulic down
- Internally routed hoses



WIRELESS CHARGING PAD

Optional charging pad for wireless handheld remote.



BOOM TIP LIGHT

Optional self-leveling boom tip lights available on all cranes 3216E and up.



SPRING LOADED CRANE BOOM RESTS



Spring loaded rectangle boom rest.



Spring loaded hexagon boom rest.

ABOUT TIGER CRANES

Tiger Cranes, a wholly owned division of Sioux Automation Center Inc, has been building high-performance telescoping service cranes since 1990. Focused on providing cranes that offer cutting edge features and reliability, Tiger Cranes strives to meet the needs of operators and retailers of heavy equipment used in mining, road construction, site prep and land clearing, agricultural equipment, the oil and gas industry, and local, state and federal government.

Tiger Cranes are also standard equipment on Eagle Pro Crane Bodies manufactured by Service Trucks International. Based in Sioux Center, IA, Tiger Cranes markets equipment through direct, distributor, and OEM channels in the United States, Canada, Mexico, as well as in international markets.

TIGER STRONG. UNLEASH THE POWER.



TIGER
CRANES

STITM **SERVICE TRUCKS**
INTERNATIONAL

877 1st Ave NW, Sioux Center, Iowa 51250
800.225.8789 | sales@tigercranes.com

MADE IN THE
USA 